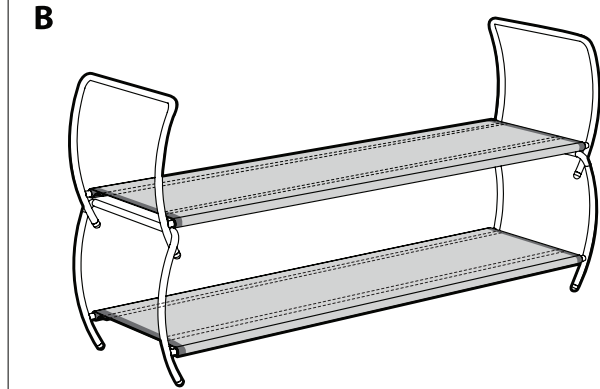
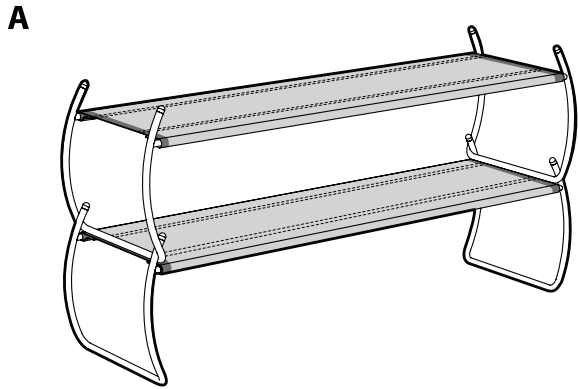
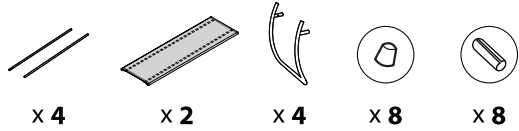


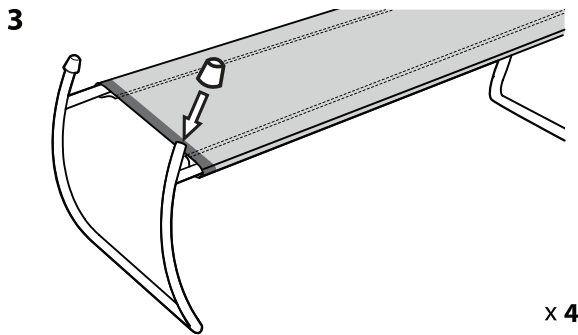
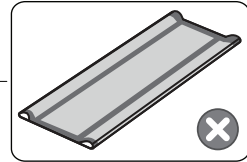
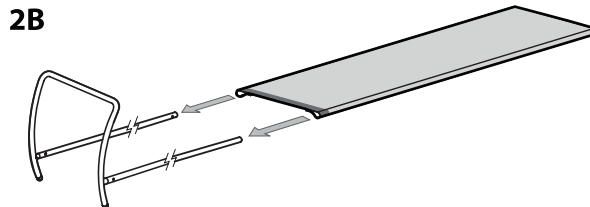
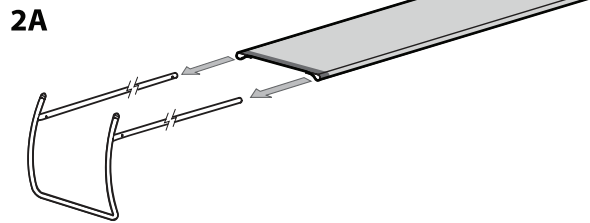
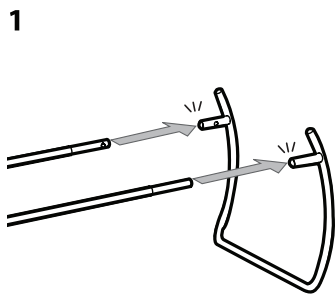
The Container Store®



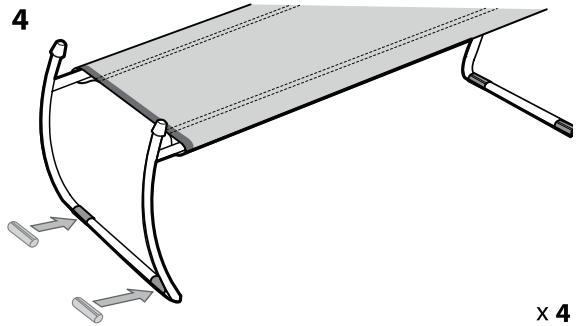
**CARRIE
SHOE RACK**
Design: Jordan Murphy
中国外观设计专利 CN 302585790 S
www.umbra.com



Assembly



x 4



x 4

