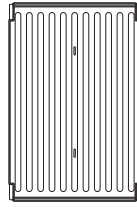


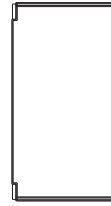
3-Section Shoe / Accessory Grid

Assembly Instructions

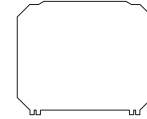
Supply units



Main board x 4
The ridged side should be facing upward.



Side board x 6



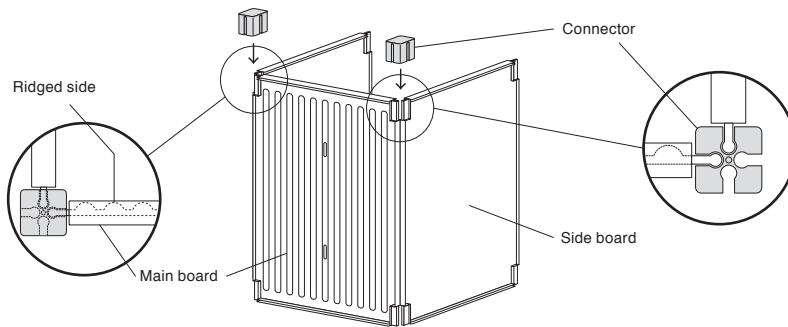
Partition x 3



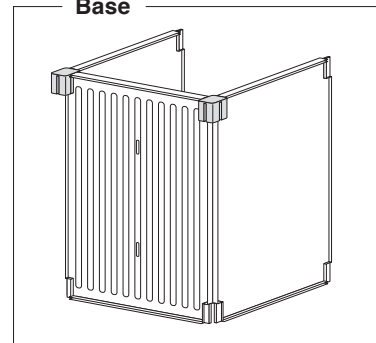
Connector x 16

Step-1

When assembling a base, insert the connectors into the main board and two side boards.
※ The ridged side should be facing upward.

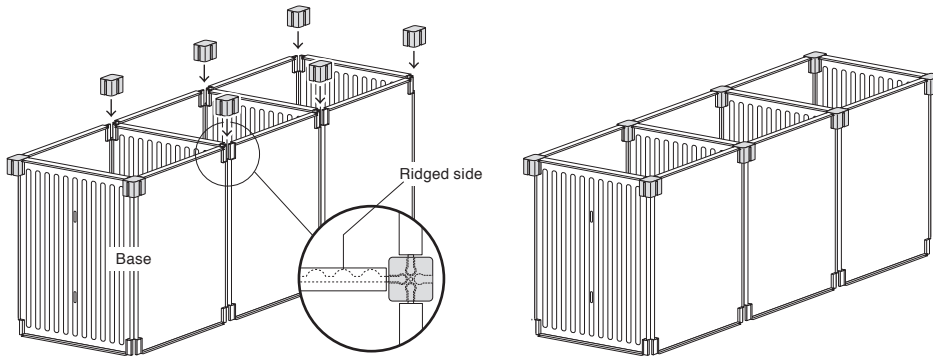


Base

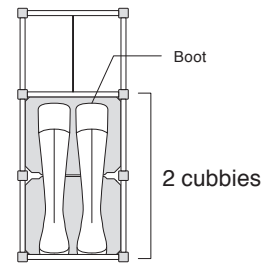


Step-2

Repeat Step-1 to complete the 3-Section Shoe / Accessory Grid.
※ Note: If using this product for Boot Storage, skip to the next page.



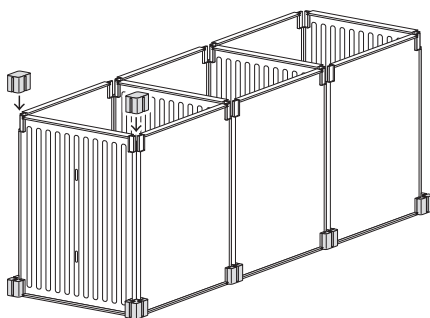
For Boot Storage:
Follow the instructions on the back.



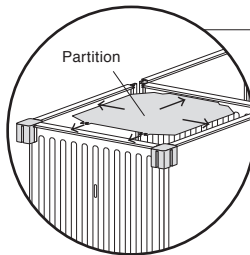
By excluding the main board in the middle, the 2 cubbies become Boot Storage.

Step-3A - If using partitions as back panels.

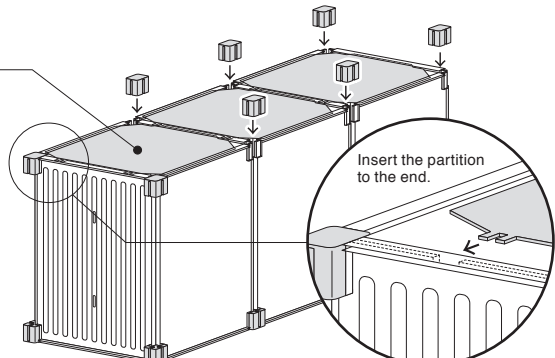
① Flip the grid over and insert 2 connectors as shown below.



② Place the partition into the slot of the main board as the back panel.



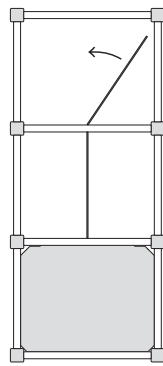
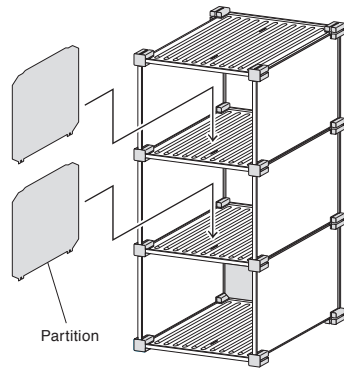
③ Repeat ② to finish inserting the remaining 2 back panels.



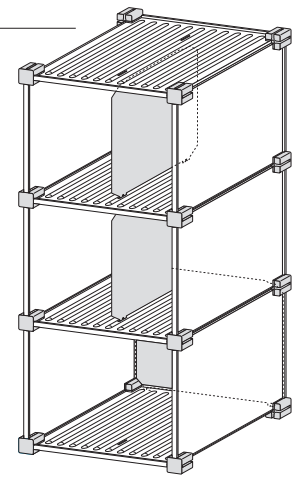
④ Insert the remaining 6 connectors.

Step-3B – If using partitions on interior of grid.

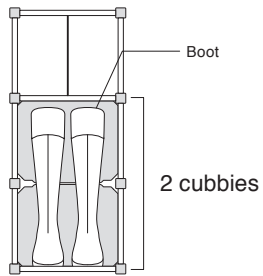
Place the partition into the 2 holes in the middle of the main board.



For easy assembly, position the partition at an angle then turn it upright.

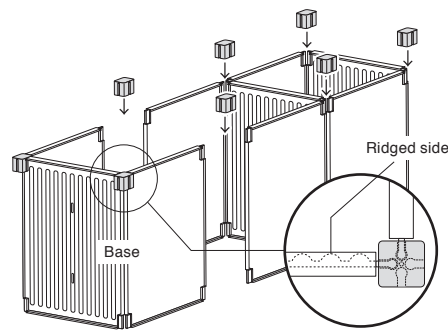


For Boot Storage

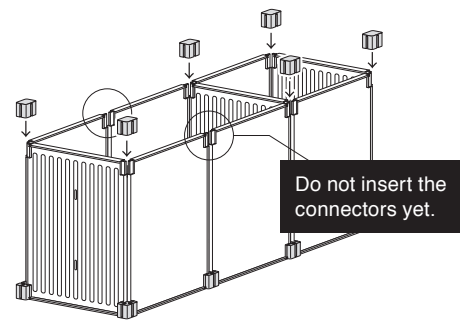


Use the 2 cubbies from the bottom when creating Boot Storage.

① To create Boot Storage, do not install the main board between 2 cubbies.

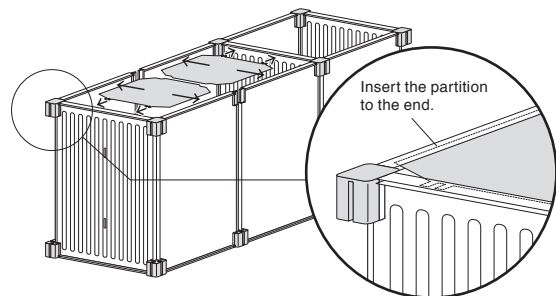


② Flip the grid over and insert the 6 connectors into the main and the side boards.

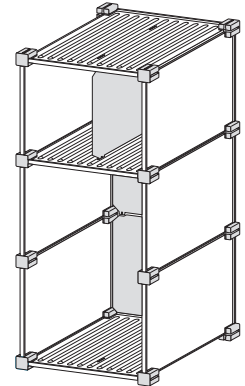
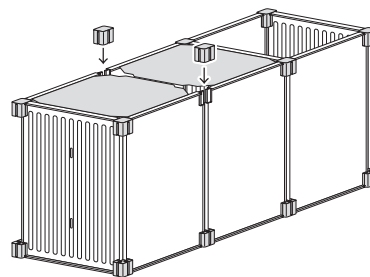


Do not insert the connectors yet.

③ Position 2 partitions as back panels.



④ Insert the 2 remaining connectors.



Custom Configuration (with additional 3 or 6-Section Shoe / Accessory Grids; or Vertical and / or Horizontal Add On Kits – sold separately)

The Shoe / Accessory Grid can be expanded in Vertical and Horizontal combinations. Remove all items out of the cubbies before expanding.

How to expand

- ① Remove all items and lay the Shoe / Accessory Grid down the same as when assembling.
- ② Remove the connectors at the desired extension points.
- ③ Snap the extension main and side boards and insert the connectors.

