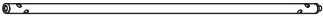


## 8739-4935 16-Section Shoe Cubby



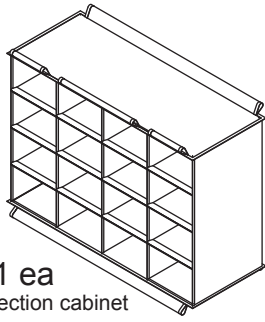
**A** 4 ea  
Long horizontal pole



**B** 4 ea  
Vertical pole with holes



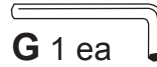
**C** 4 ea  
Short horizontal pole



**D** 1 ea  
16 section cabinet



**E** 16 ea  
Hex screw



**G** 1 ea  
Hex wrench

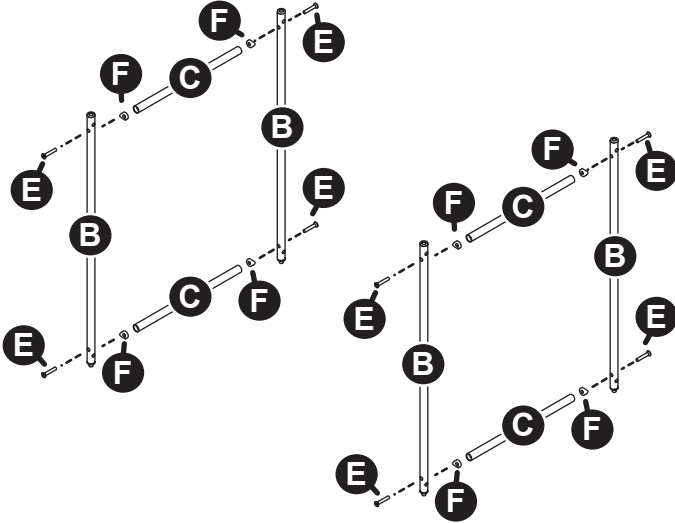


**F** 16 ea  
Plastic washer

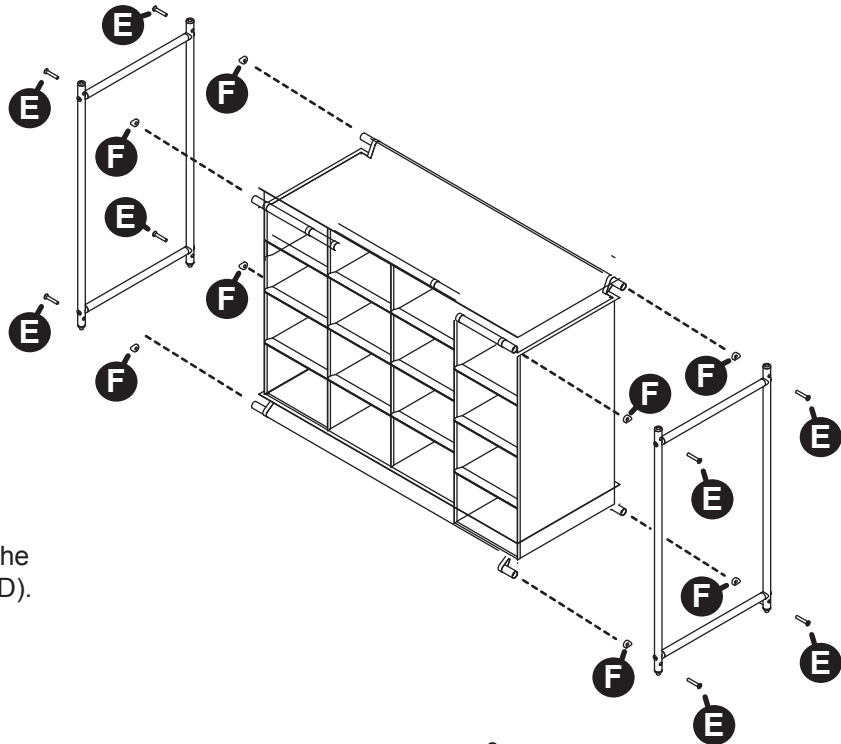
**Assembly Time:**  
Less than  
45 minutes.

**Tools Needed:** No additional tools required. Wrench is provided

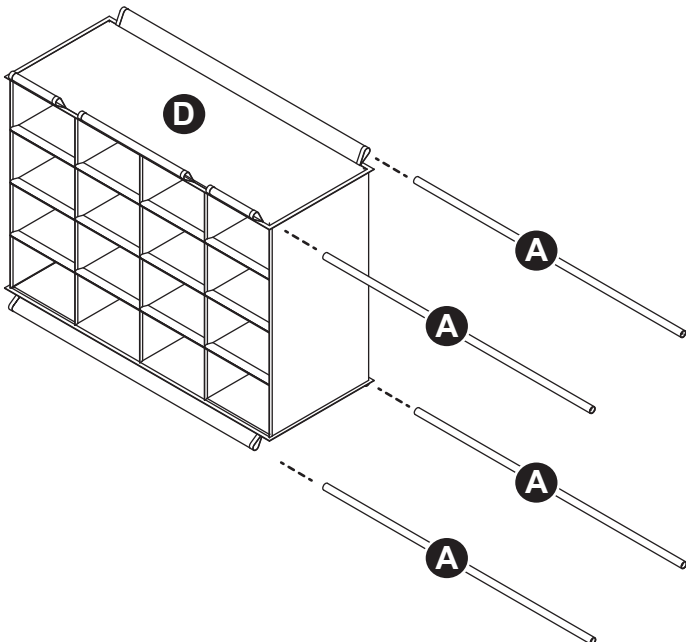
**STEP 1.** Assemble the left frame section by attaching two short horizontal poles (C) to two vertical poles with holes (B). Use plastic washers (F) between the poles and attach using hex screws (E). Use the holes that are closer to the center of (B). Repeat this process for the right frame section.



**STEP 3.** Using the four remaining screws (E) install the left and right frame sections that were assembled in step 1. Use plastic washers (F) between the poles and frame.



**STEP 2.** Insert the four long horizontal poles (A) through the loops on top and bottom corners of the 16 section cabinet (D).



**STEP 4.** Assembly is now complete. Enjoy your 16-Section Shoe Cubby.

