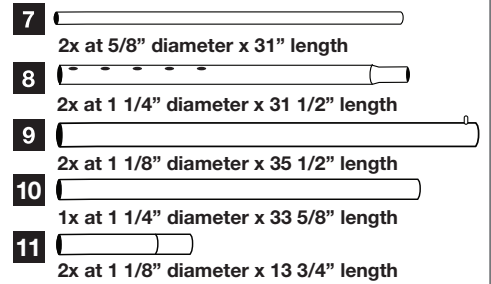
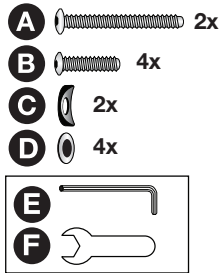
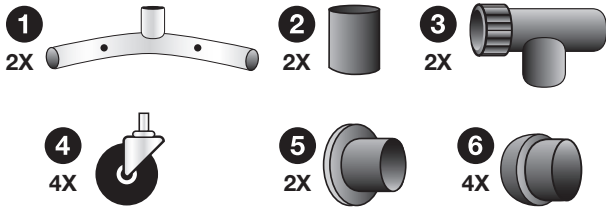
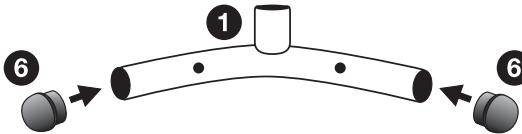


## Instructions for Garment Rack #558105 (958FS) 75 lbs max weight limit distributed evenly

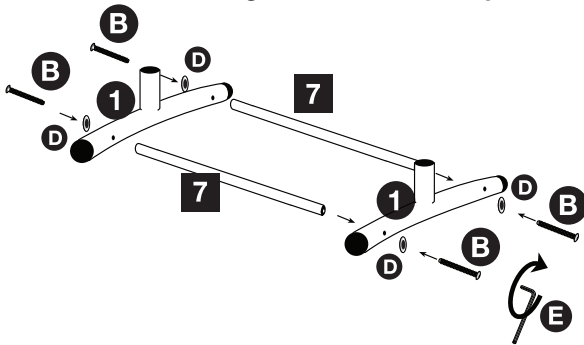
### Contents



**1** Insert base ends 6 into base 1.

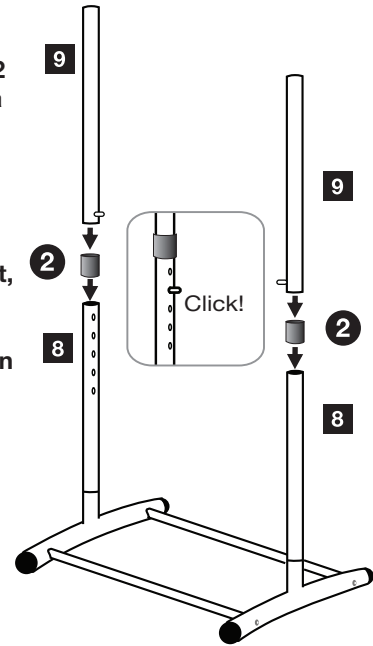


**2** Assemble lower half by securing poles 7 onto the bases 1 with screws B and washers D using the allen wrench E provided.

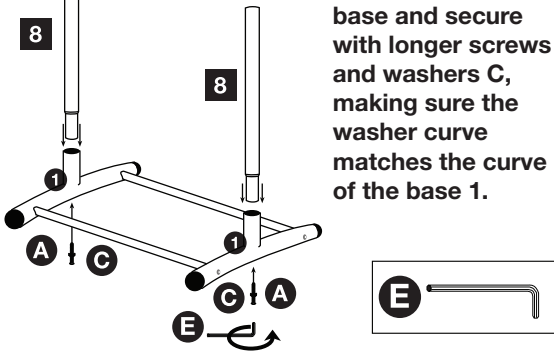


**6** Insert connectors 2 onto poles 8. Use a soft but firm tool/surface for a tight fit.

To select the height, click the pin in poles, part 9, into the correct holes on poles, parts 8, locking the vertical poles in place

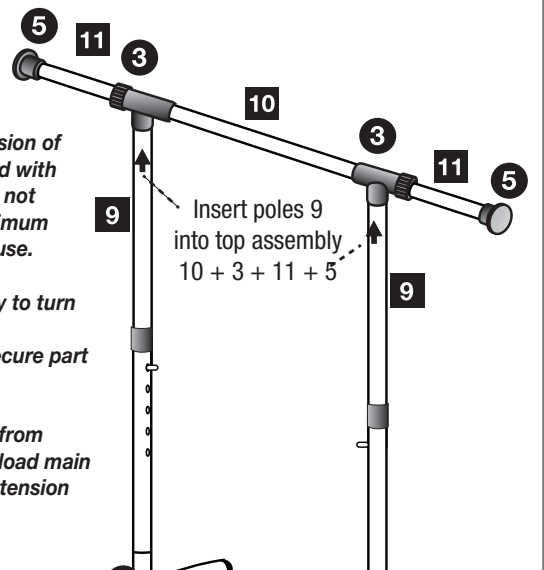


**3** Insert the poles 8 into the assembled base and secure with longer screws A and washers C, making sure the washer curve matches the curve of the base 1.

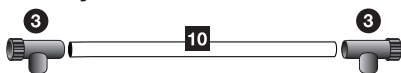


**7** **IMPORTANT:** Maximum extension of part 11 is marked with etched lines. Do not exceed the maximum position during use. It is unnecessary to turn extension locks completely to secure part 11+5.

To prevent rack from flipping, always load main rod 10 before extension rods 11+5.



**4** Assemble top bar by inserting pole 10 into plastic ends 3. Use a soft but firm tool / surface to tap 3 firmly onto 10.



**5** Place end caps 5 onto tips of 11. Use a soft but firm tool/surface to insert 5. When finished, insert part 11 into adjuster 3



**8** Finish assembly by attaching castors 4 to base 1 with provided wrench F.

