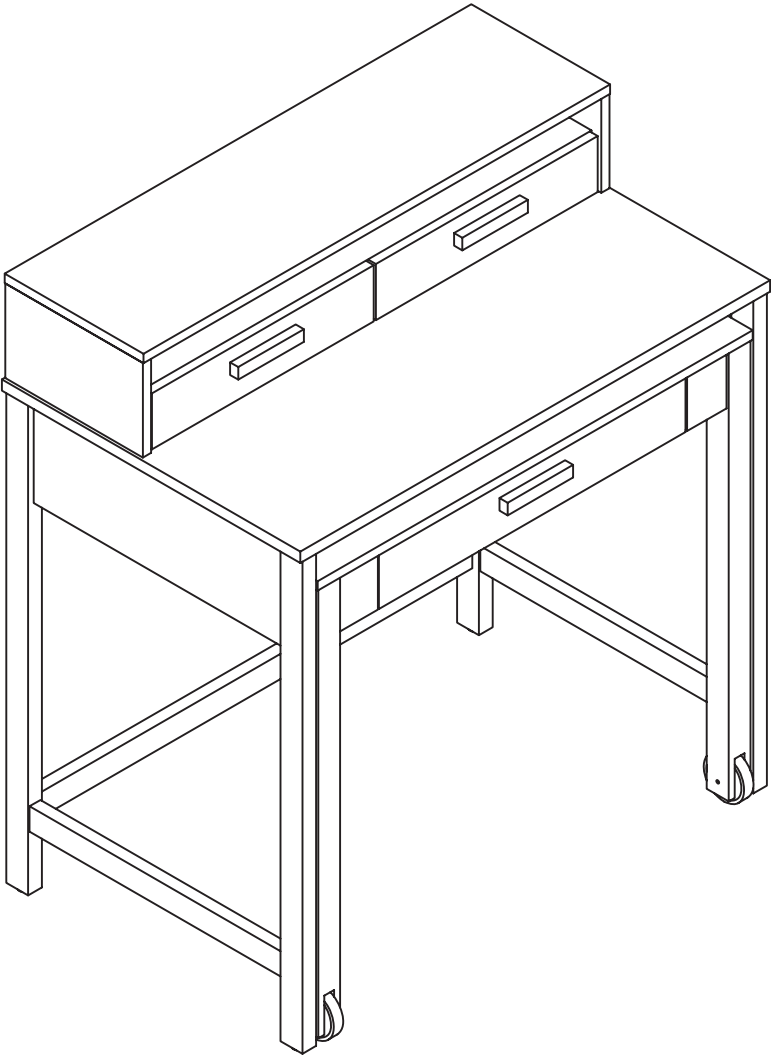
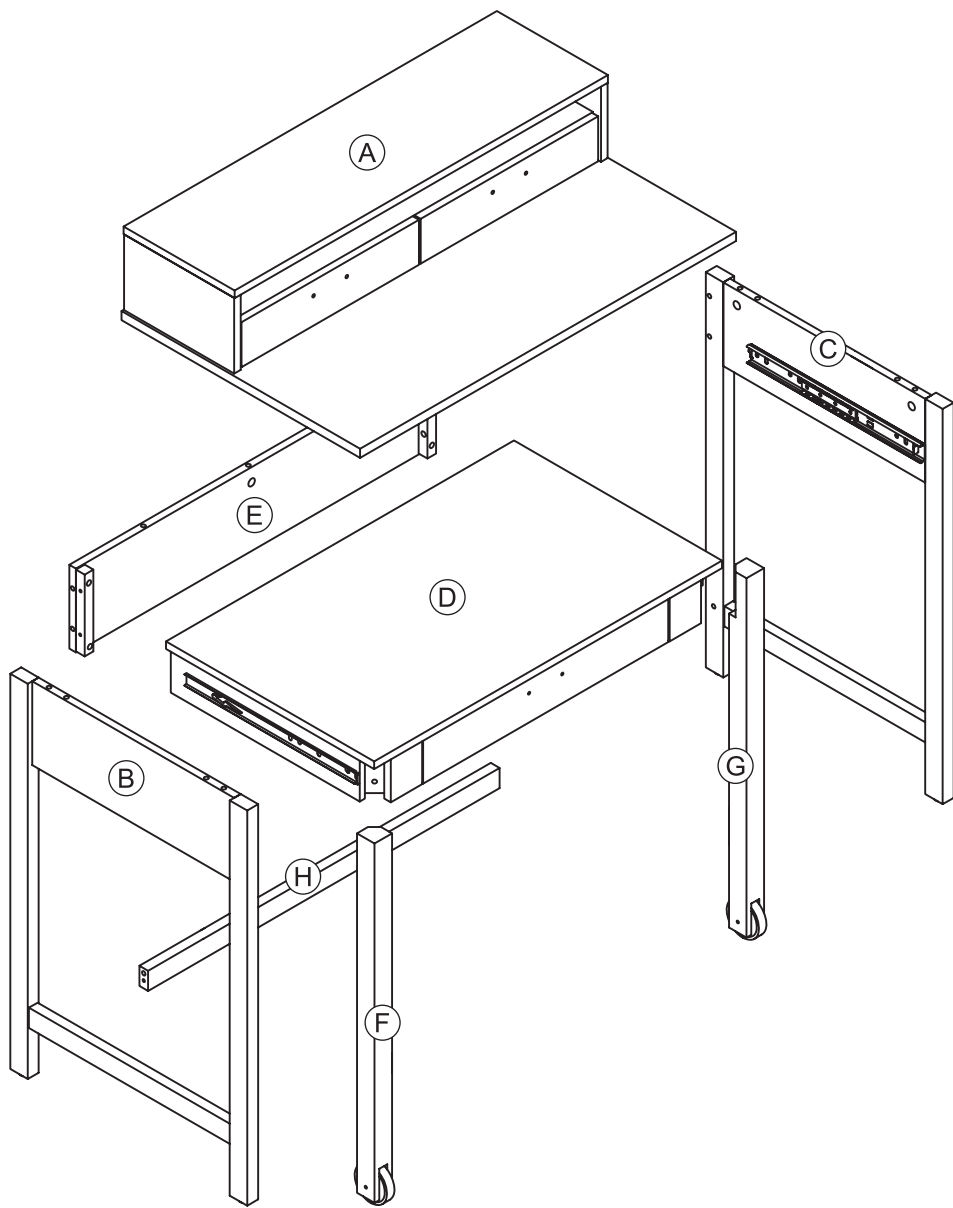


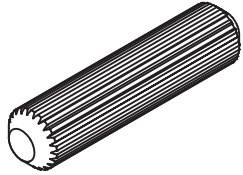
Assembly Instructions Henley Rollout Desk



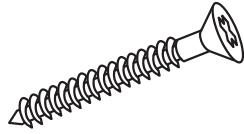


A	Top Drawer Box	1
B	Left Side Frame	1
C	Right Side Frame	1
D	Center Drawer Box	1
E	Back Panel	1
F	Left Leg	1
G	Right Leg	1
H	Back Stretcher	1

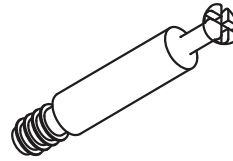
Please review the hardware listed on the next page as well as individual components of this product. As you unpack and prepare for assembly, place the contents on a carpeted or padded area to protect them from damage.



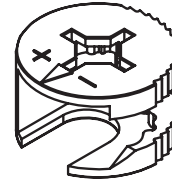
**H1 x 12
WOODEN
DOWEL**



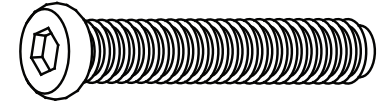
**H2 x 6
FLAT HEAD
SCREW**



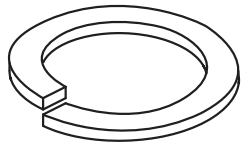
**H3 x 5
CAM BOLT**



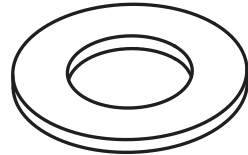
**H4 x 5
CAM**



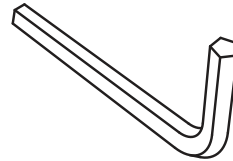
**H5 x 4
BOLT**



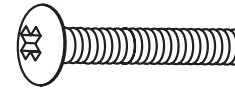
**H6 x 4
LOCK WASHER**



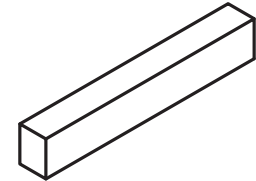
**H7 x 4
WASHER**



**H8 x 1
ALLEN
WRENCH**

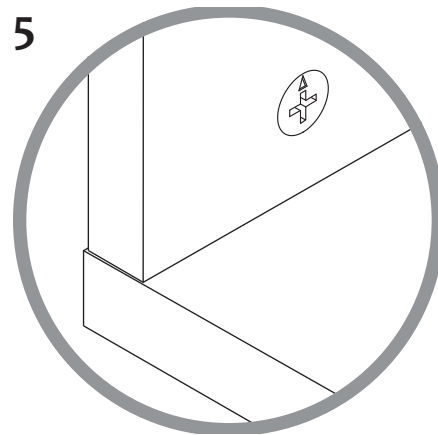
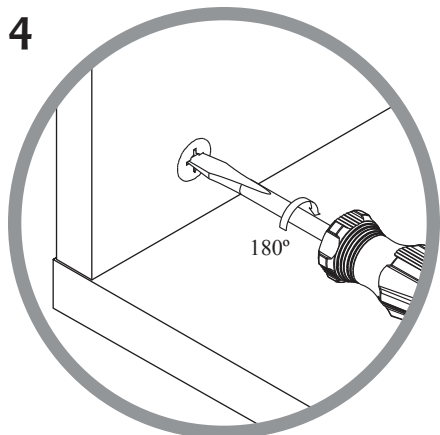
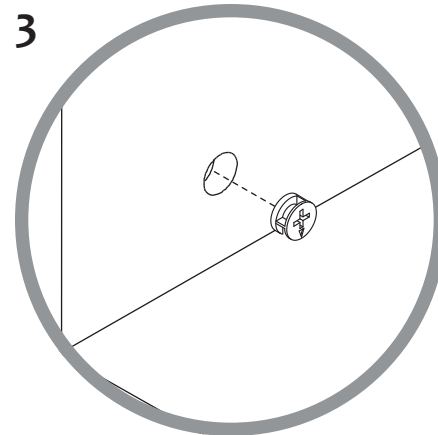
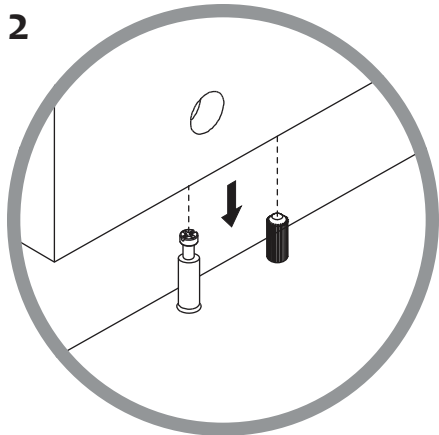
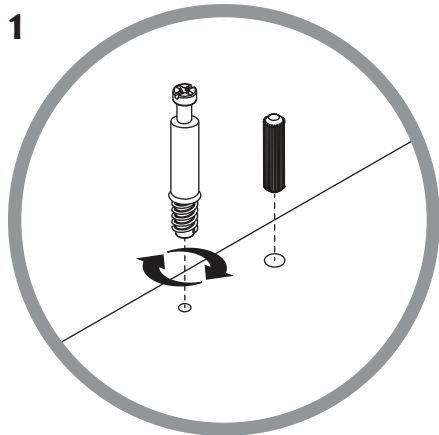


**H9 x 6
HANDLE BOLT**

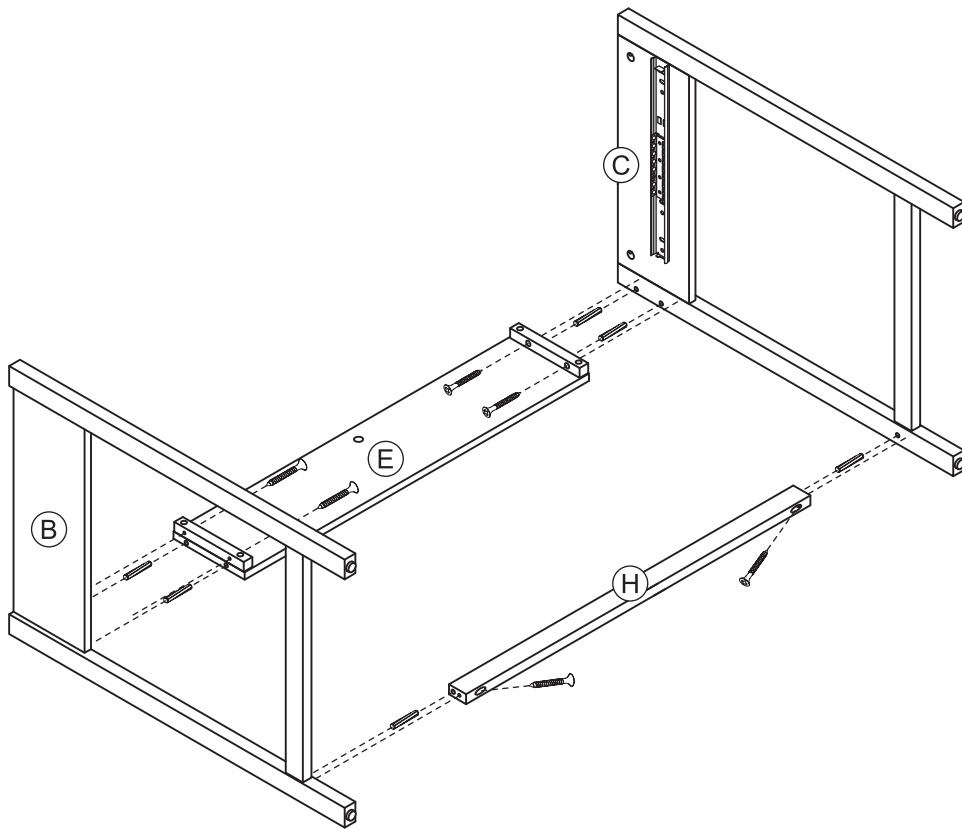


**H10 x 3
DRAWER
HANDLE**

TOOLS REQUIRED: PHILLIPS SCREW DRIVER / DRILL / HAMMER



STEP 1

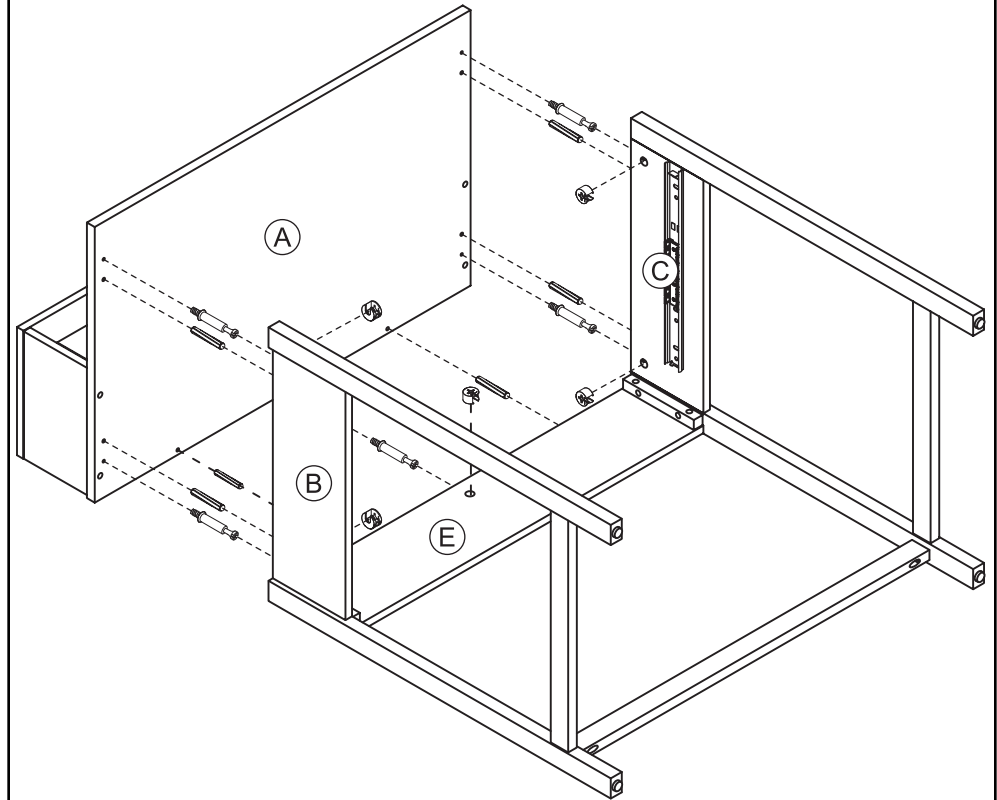


**H1 x 6
WOODEN
DOWEL**



**H2 x 6
FLAT HEAD
SCREW**

STEP 2



**H1 x 6
WOODEN
DOWEL**

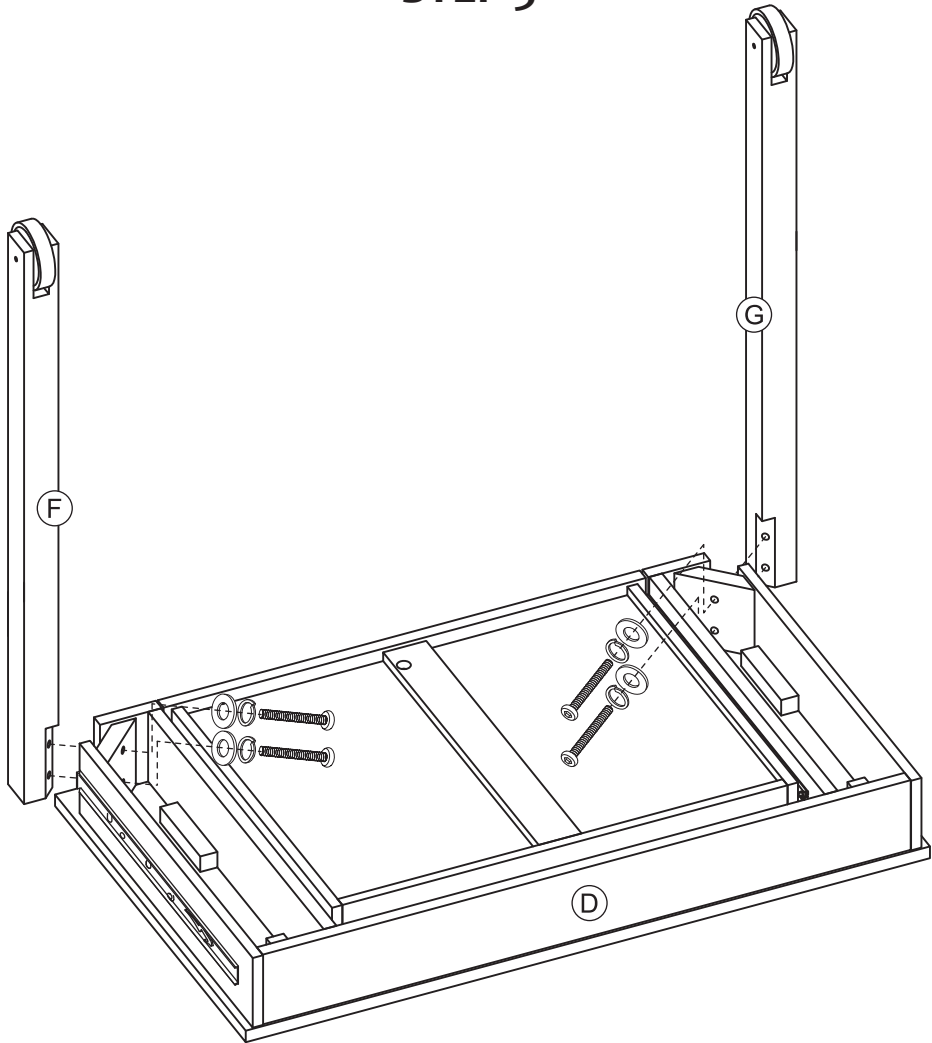


**H3 x 5
CAM BOLT**

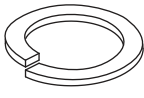


**H4 x 5
CAM**

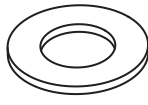
STEP 3



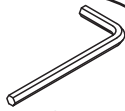
**H5 x 4
BOLT**



**H6 x 4
LOCK
WASHER**

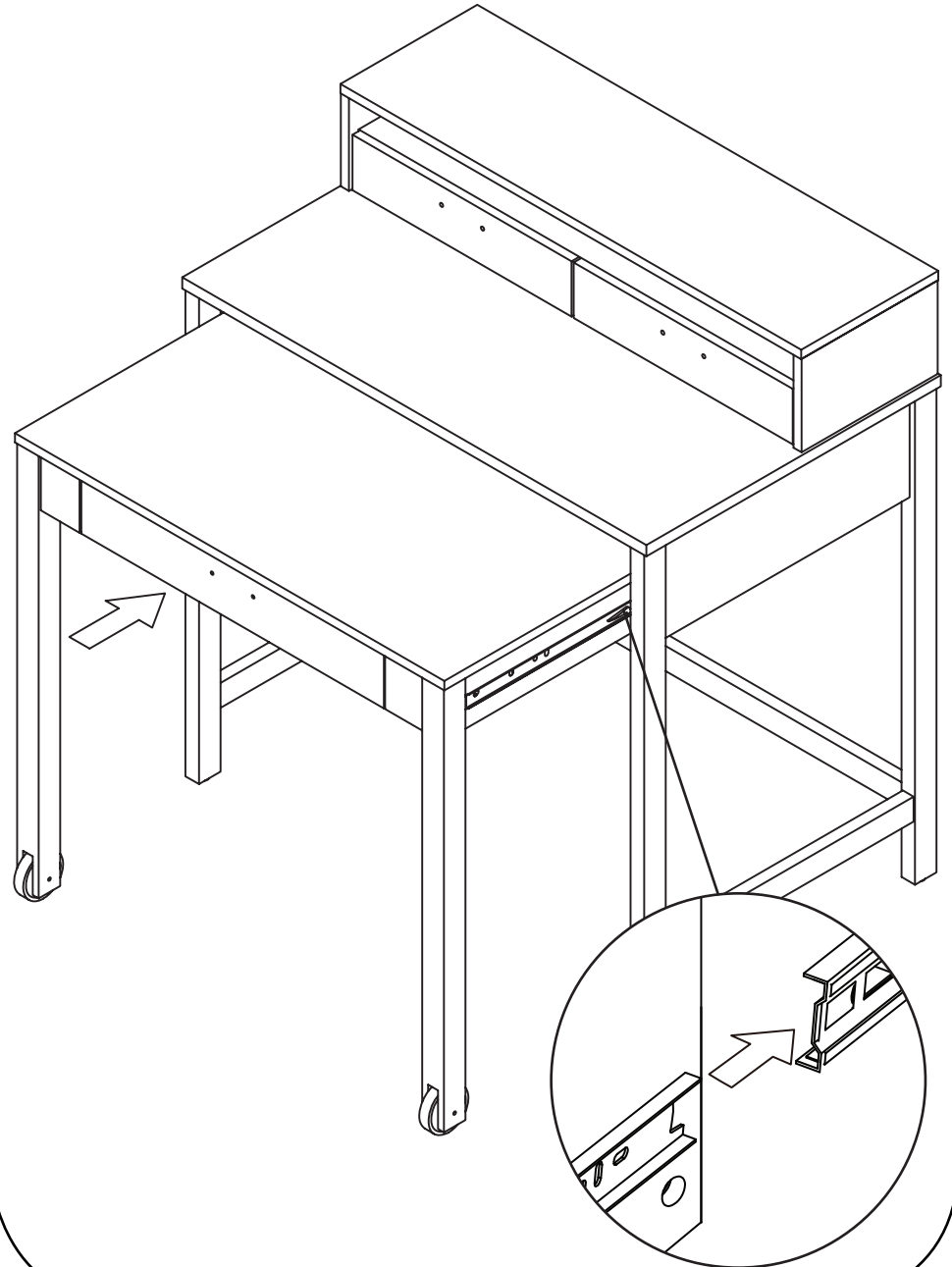


**H7 x 4
WASHER**

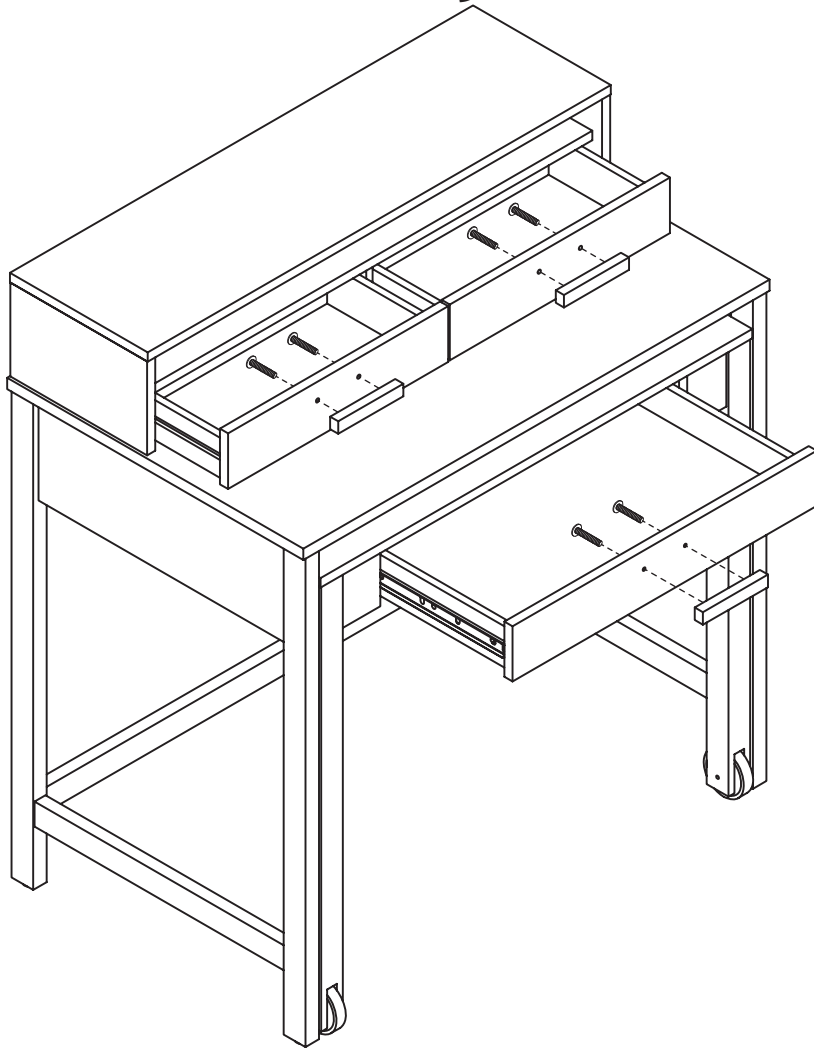


**H8 x 1
ALLEN
WRENCH**

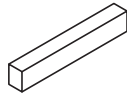
STEP 4



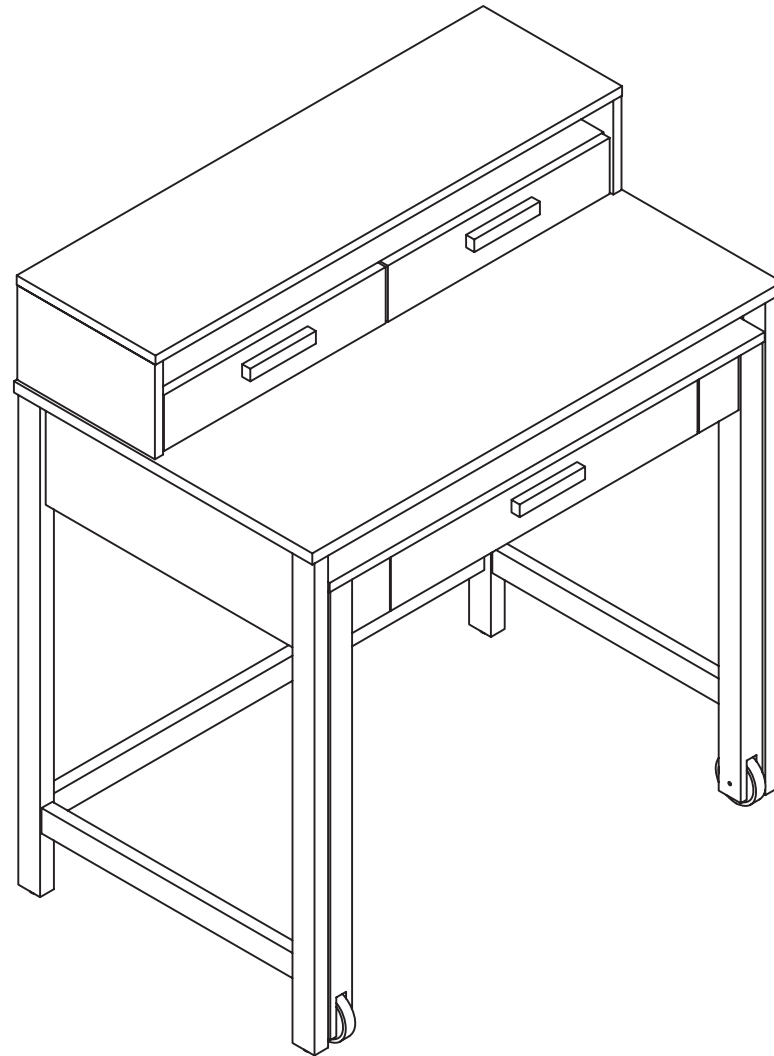
STEP 5



**H9 x 6
HANDLE
BOLT**



**H10 x 3
DRAWER
HANDLE**



**35 lbs. maximum
upper shelf**

**80 lbs. maximum
stationary desk surface**

**50 lbs. maximum
pull out desk surface**

WARNING: Do not exceed the recommended weight limits on the designated panels. Exceeding these limits could cause sagging, possibly resulting in failure of product or bodily injury. Severe injury may occur if furniture tips over. Never allow children to climb or play on this product. Place heaviest items as far back as possible and never overload product.