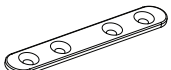



Assembly Instructions

Folding Hutch

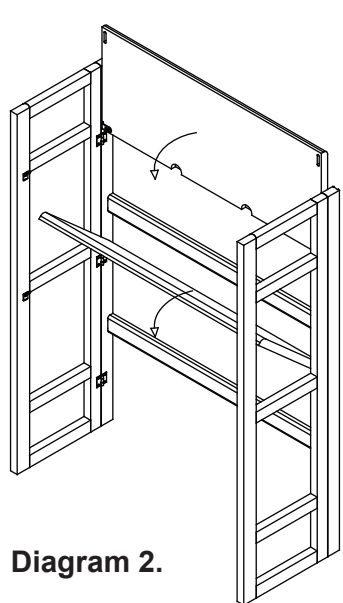
Part	Q'TY.
Metal Plate 	2
Screw F6 x 5/8" 	8

Step 1.

Open side panels (Diag.1.) and while they are opened lower each shelf as per Diag.2.

Step 2.

Make sure each shelf is resting on each metal clip.



Single Unit

Diagram 1.

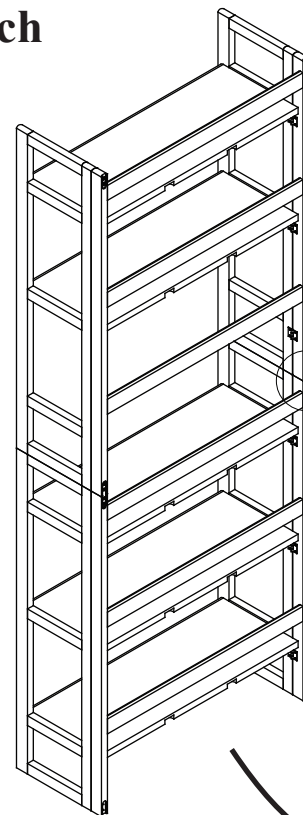
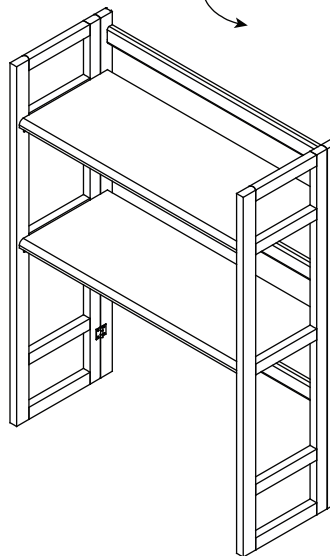
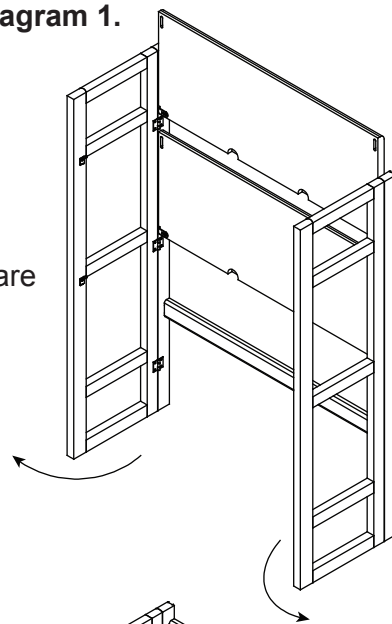
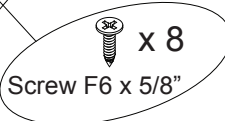
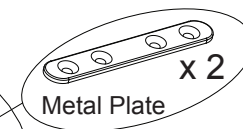


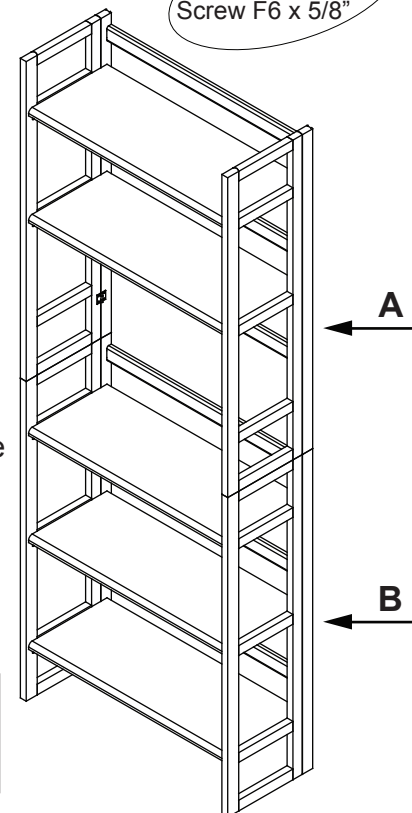
Diagram 3.



Step 3.

Gently lift the second bookcase and place it on the top of the first as per Diag.3. Attach the **metal plate** as per Diag.3. and secure with screws **F6 x 5/8**.

Stacking Two Units



A : Folding Hutch
B : Folding/Stacking Bookcase