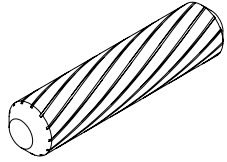
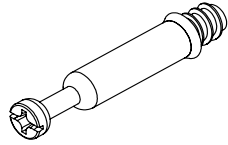


A	Cushion	1
B	Top Panel	1
C	Partition	2
D	Bottom Panel	1
E	Left Side Panel	1
F	Right Side Panel	1
G	Back Panel	1
H	Foot	2

Please review the hardware listed on the next page as well as individual components of this product. As you unpack and prepare for assembly, place the contents on a carpeted or padded area to protect them from damage.



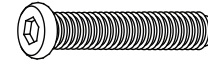
**H1 x 16
WOODEN
DOWEL**



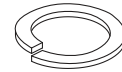
**H2 x 8
CAM
BOLT**



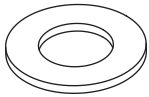
**H3 x 8
CAM**



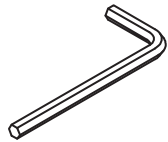
**H4 x 4
32mm
BOLT**



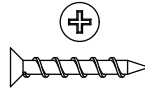
**H5 x 4
LOCK
WASHER**



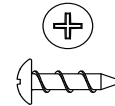
**H6 x 4
WASHER**



**H7 x 1
ALLEN
WRENCH**



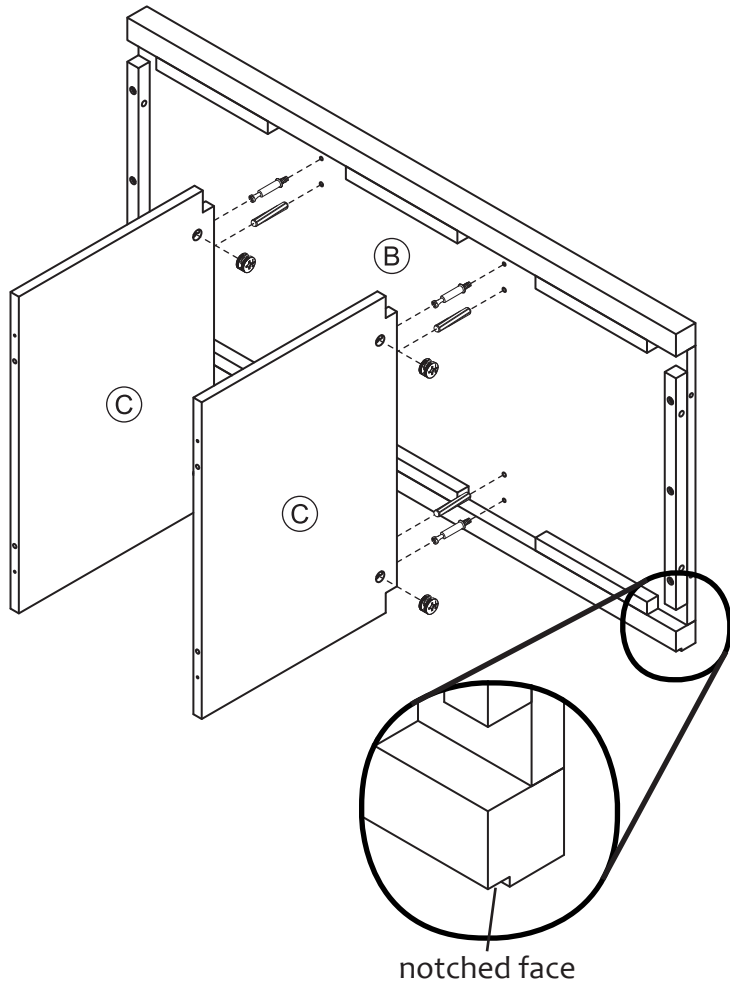
**H8 x 4
FLAT HEAD
SCREW**



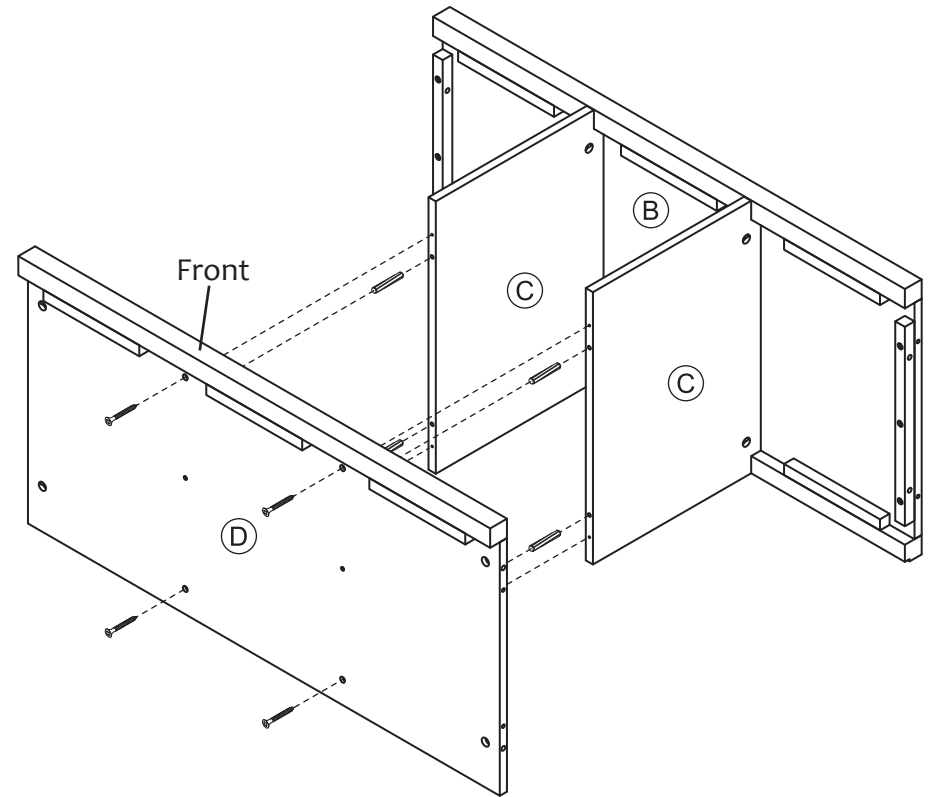
**H9 x 20
PAN HEAD
SCREW**

TOOLS REQUIRED: PHILLIPS SCREWDRIVER

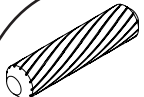
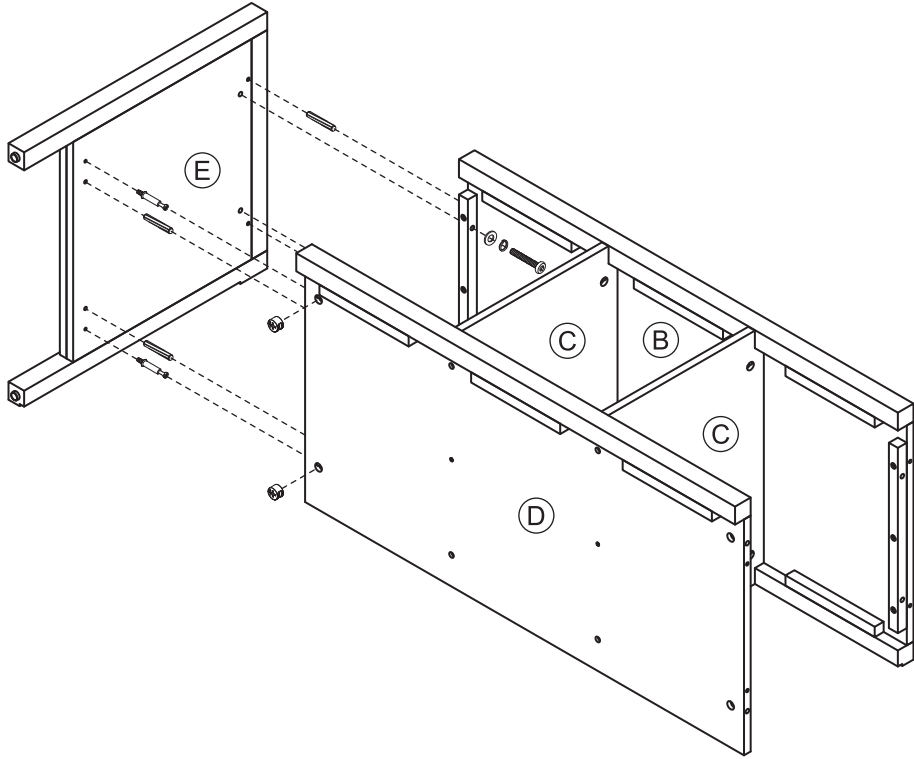
STEP 1



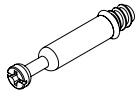
STEP 2



STEP 3



H1 x 4
WOODEN
DOWEL



H2 x 2
CAM
BOLT



H3 x 2
CAM



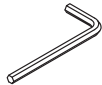
H4 x 2
32mm
BOLT



H5 x 2
LOCK
WASHER

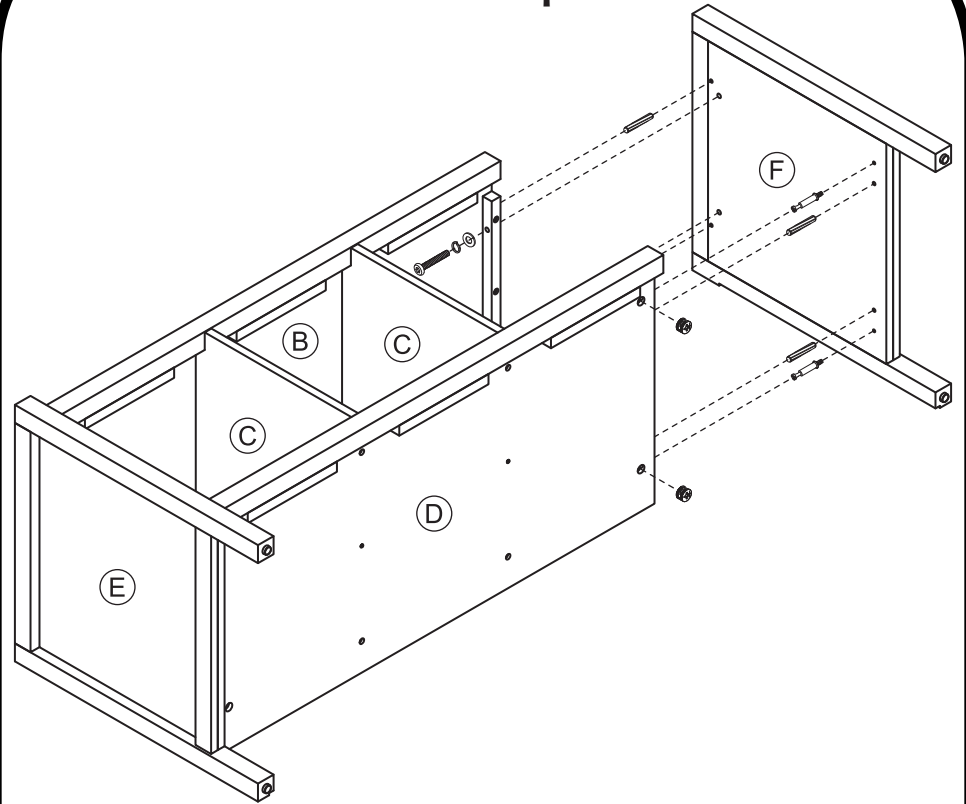


H6 x 2
WASHER

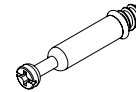


H7 x 1
ALLEN
WRENCH

STEP 4



H1 x 4
WOODEN
DOWEL



H2 x 2
CAM
BOLT



H3 x 2
CAM



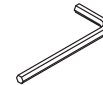
H4 x 2
32mm
BOLT



H5 x 2
LOCK
WASHER

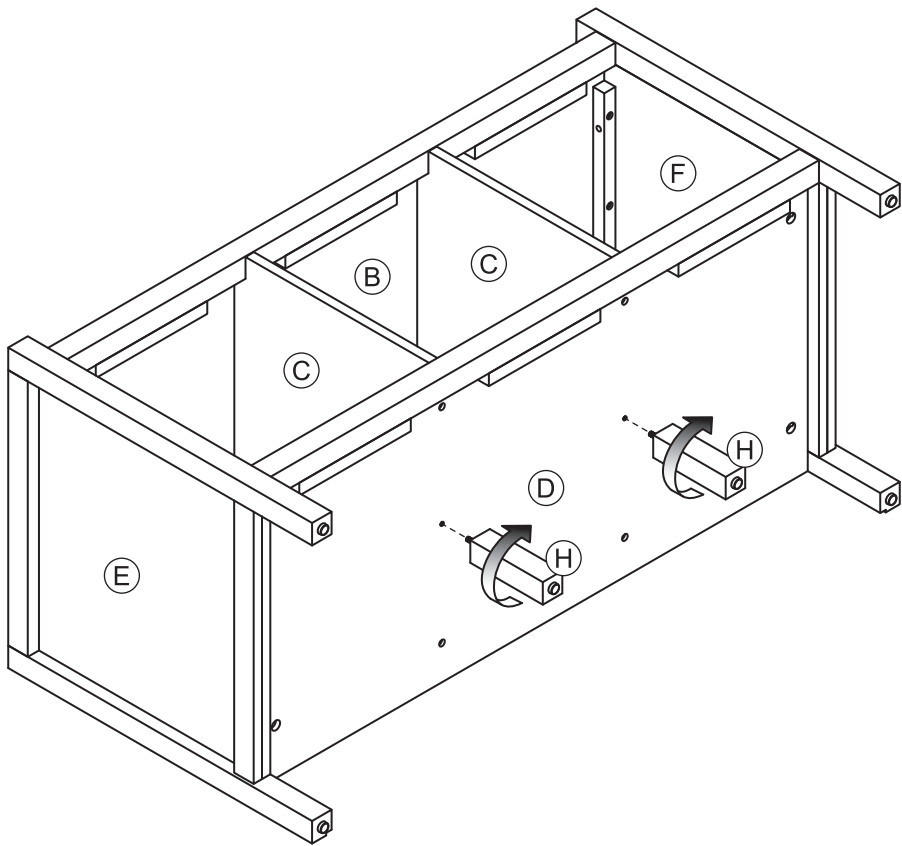


H6 x 2
WASHER

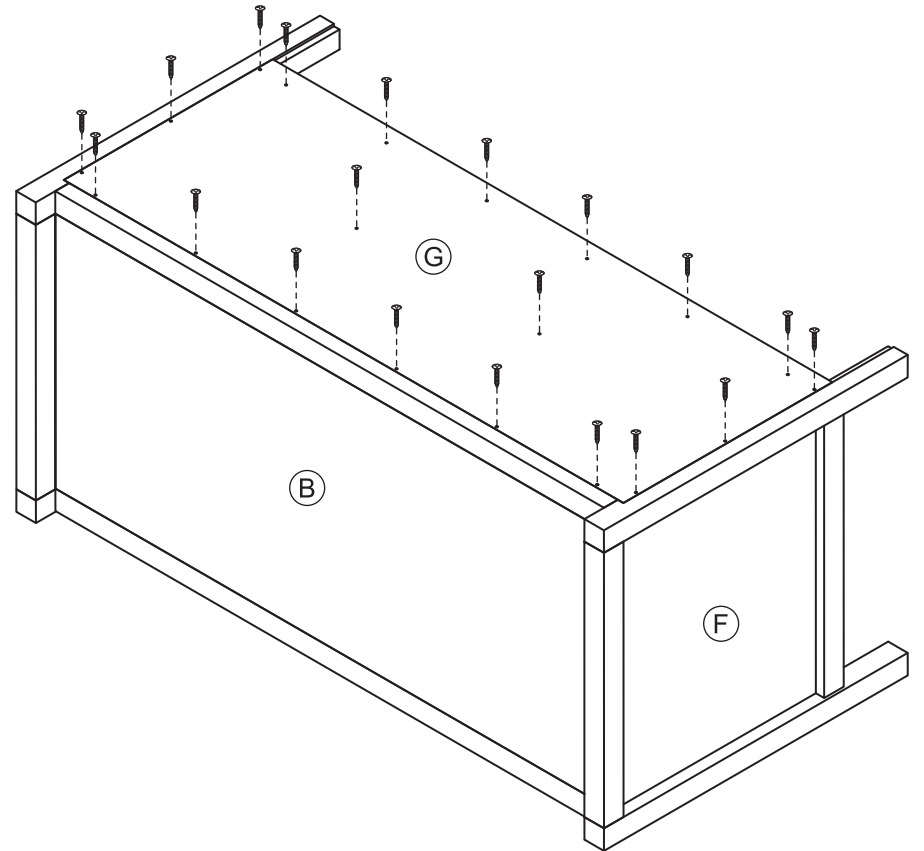


H7 x 1
ALLEN
WRENCH

STEP 5

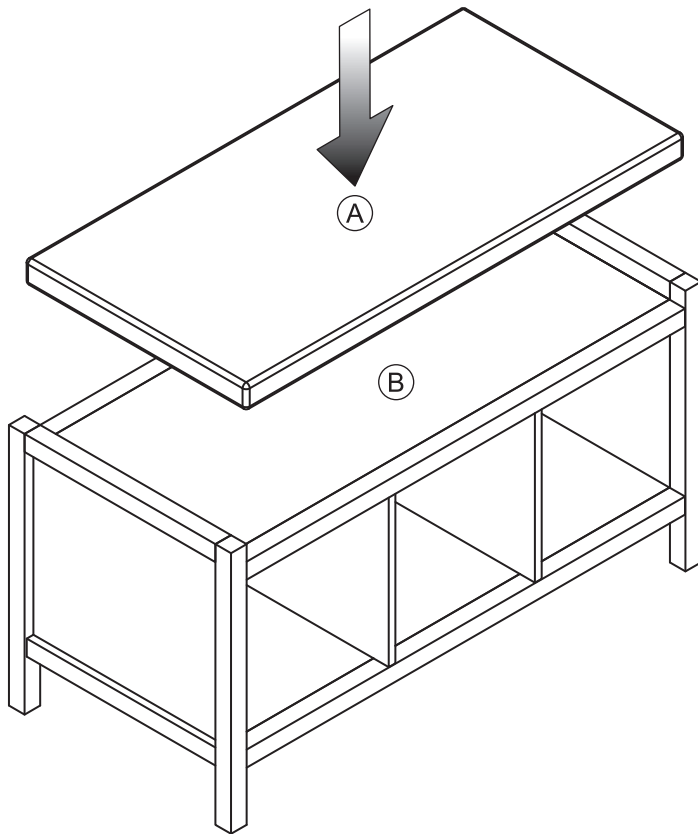


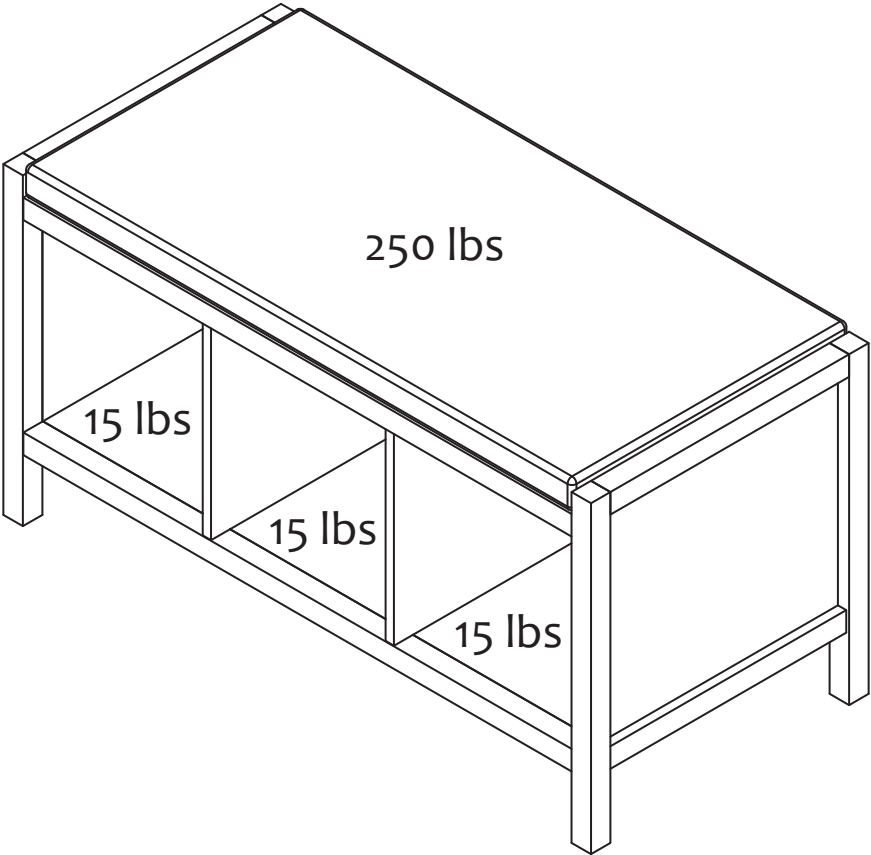
STEP 6



H9 x 20
PAN HEAD
SCREW

STEP 7





WARNING: Do not exceed the recommended weight limits on the designated panels. Exceeding these limits could cause sagging, possibly resulting in failure of product or bodily injury. Severe injury may occur if furniture tips over. Never allow children to climb or play on this product. Place heaviest items on lower shelves and as far back as possible, never overload product.