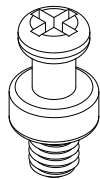
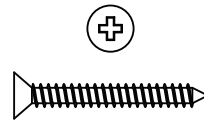


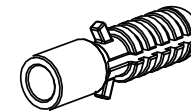
Please review the hardware listed on the next page as well as components of this product. Cam pins are included with each shelf or tray. Screws and anchors are included with uprights. As you unpack and prepare for assembly, place contents on a carpeted or padded area to protect from damage. A second person is required for assembly. Assembling product pieces with power tools is not recommended.



H1 x 4
CAM PINS
PER SHELF
OR TRAY

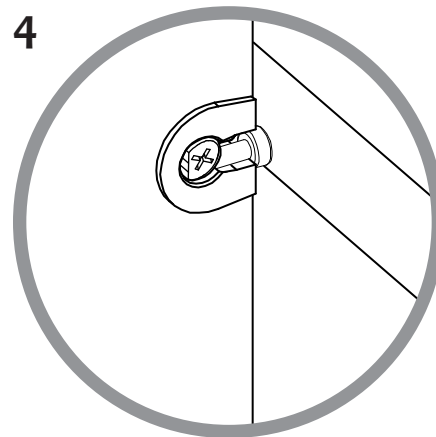
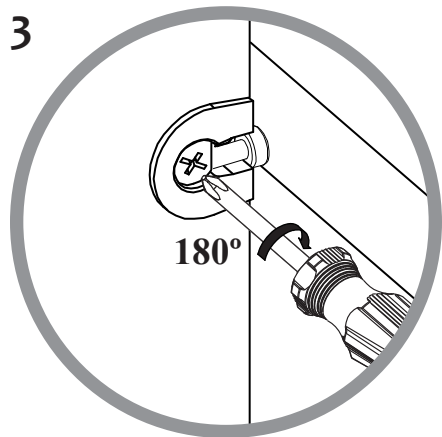
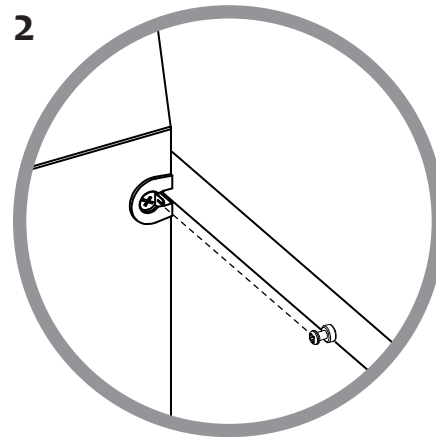
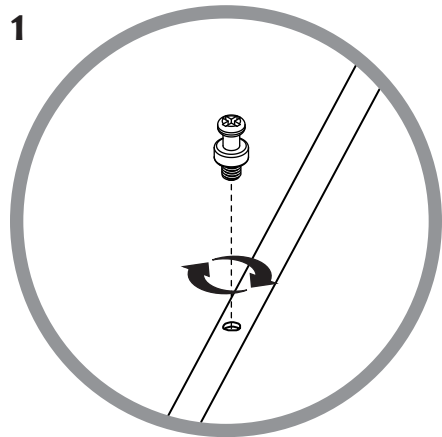


H2 x 2
WALL SCREWS
PER UPRIGHT



H3 x 2
WALL ANCHORS
PER UPRIGHT

TOOLS REQUIRED: PHILLIPS SCREWDRIVER | HAMMER | TWO PEOPLE

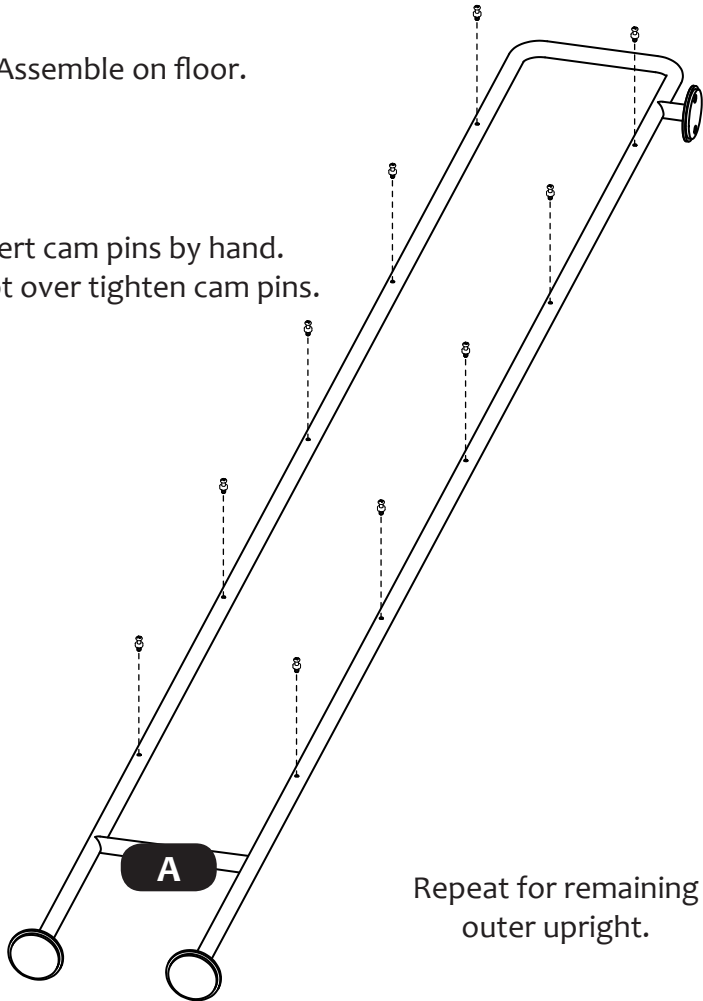


SINGLE BAY INSTALLATION

STEP 1

Assemble on floor.

Insert cam pins by hand.
Do not over tighten cam pins.



Repeat for remaining
outer upright.

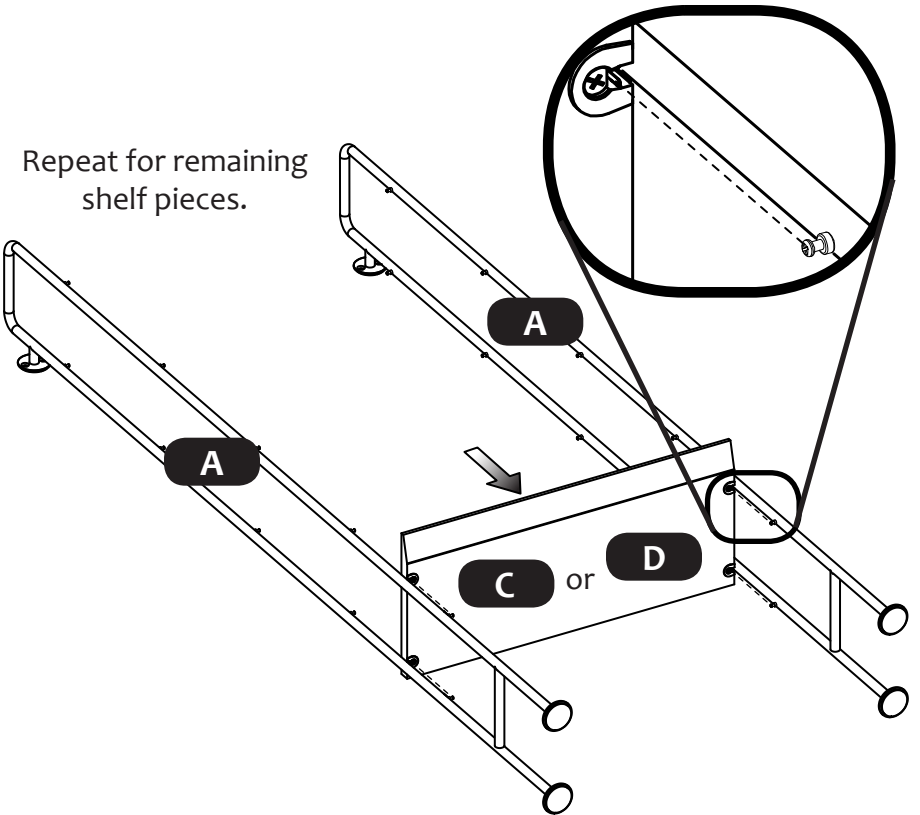


**H1 x 4
CAM PINS
PER SHELF
OR TRAY**

STEP 2

Assemble on floor.

Once shelf is in place, use
screwdriver to lock cams.

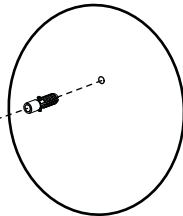
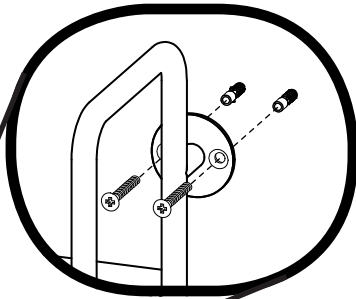


Repeat for remaining
shelf pieces.

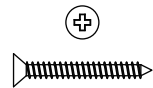
SINGLE BAY INSTALLATION

STEP 3

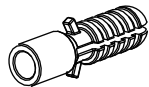
Lift into position.



Position against wall
Mark position of bracket
holes on wall
Drill 1/4" holes
tap in wall anchors



**H2 x 2
WALL
SCREWS
PER UPRIGHT**



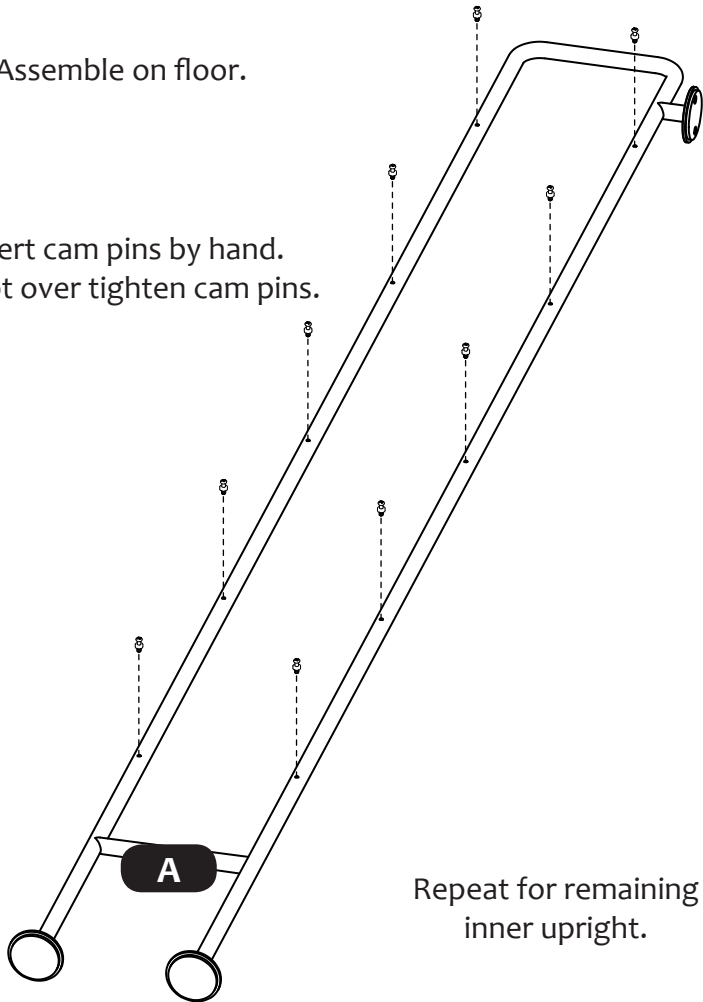
**H3 x 2
WALL
ANCHORS
PER UPRIGHT**

TWO BAY INSTALLATION

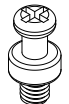
STEP 1

Assemble on floor.

Insert cam pins by hand.
Do not over tighten cam pins.



Repeat for remaining
inner upright.

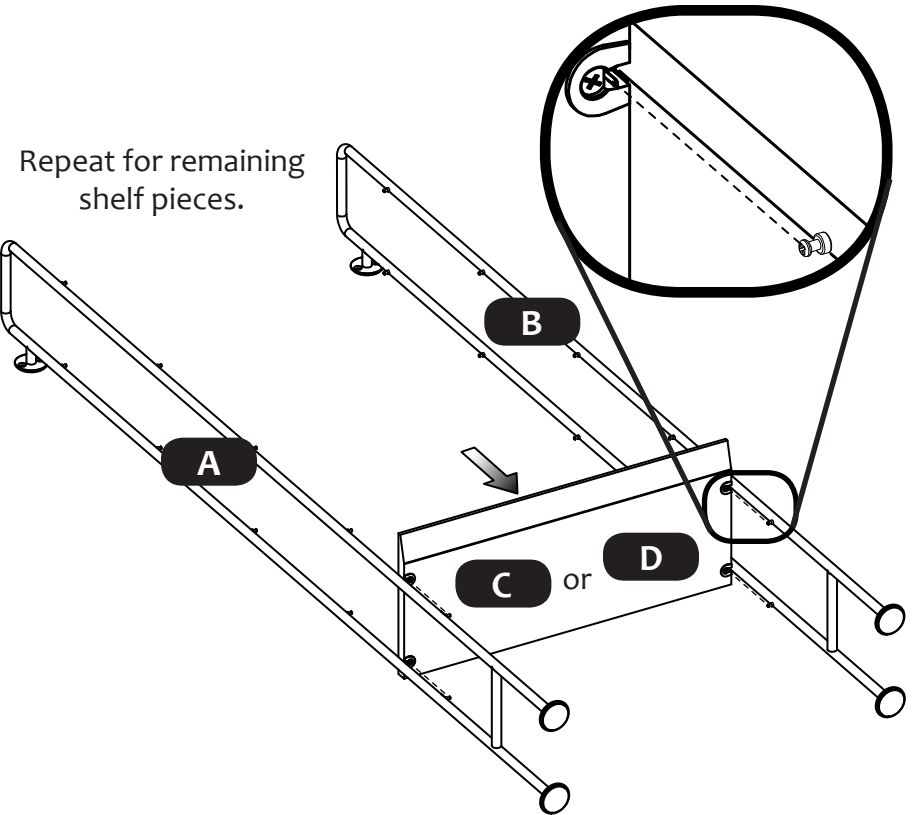


**H1 x 4
CAM PINS
PER SHELF
OR TRAY**

STEP 2

Assemble on floor.

Once shelf is in place, use
screwdriver to lock cams.



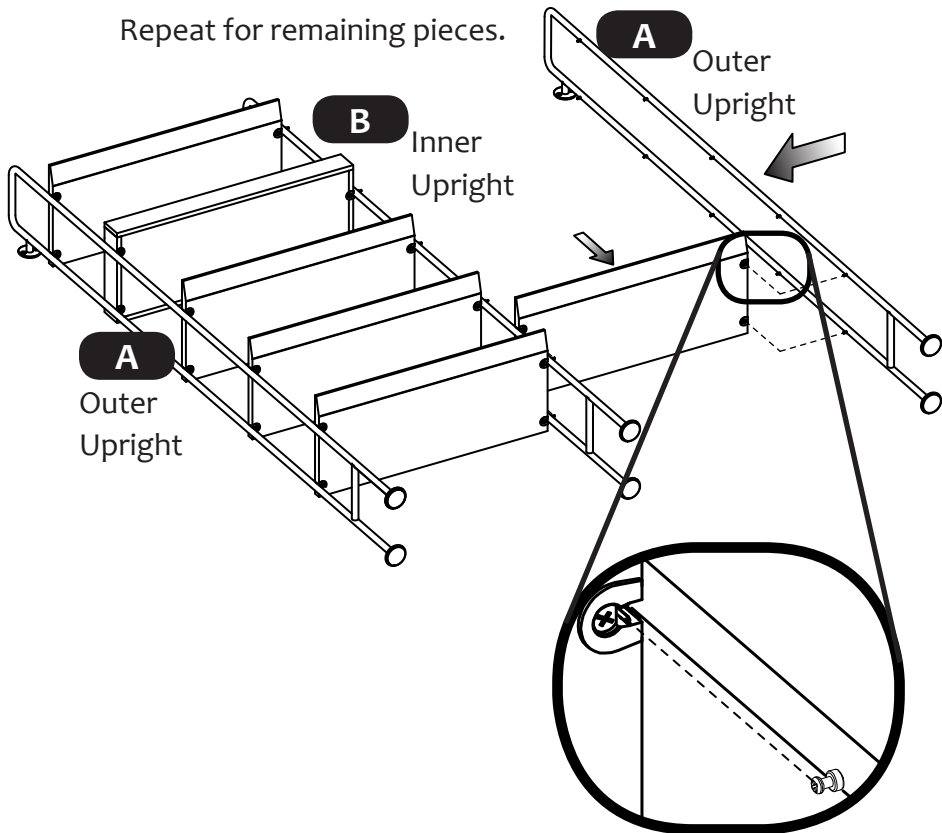
TWO BAY INSTALLATION

STEP 3

Assemble on floor.

Depending on quantity purchased substitute outer upright with additional inner upright.

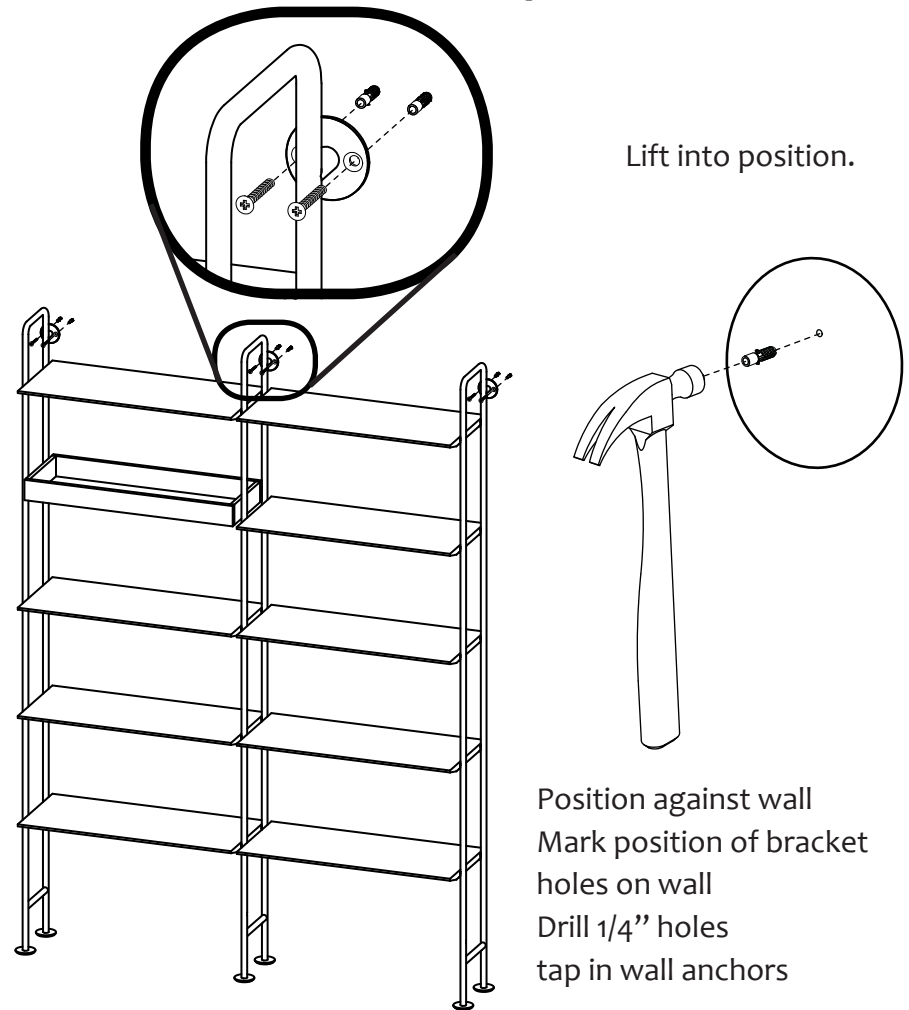
Repeat for remaining pieces.



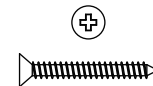
Once shelf is in place, use screwdriver to lock cams.

STEP 4

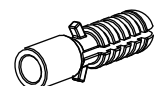
Lift into position.



Position against wall
Mark position of bracket holes on wall
Drill 1/4" holes
Tap in wall anchors



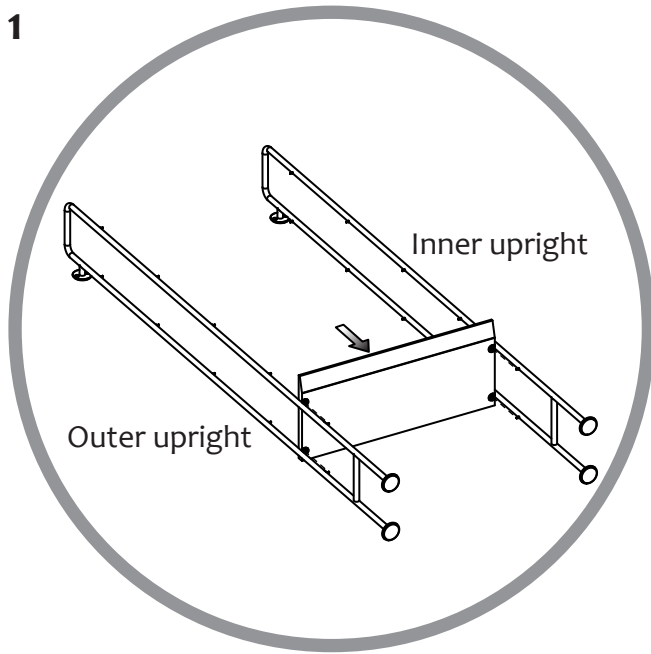
**H2 x 2
WALL
SCREWS
PER UPRIGHT**



**H3 x 2
WALL
ANCHORS
PER UPRIGHT**

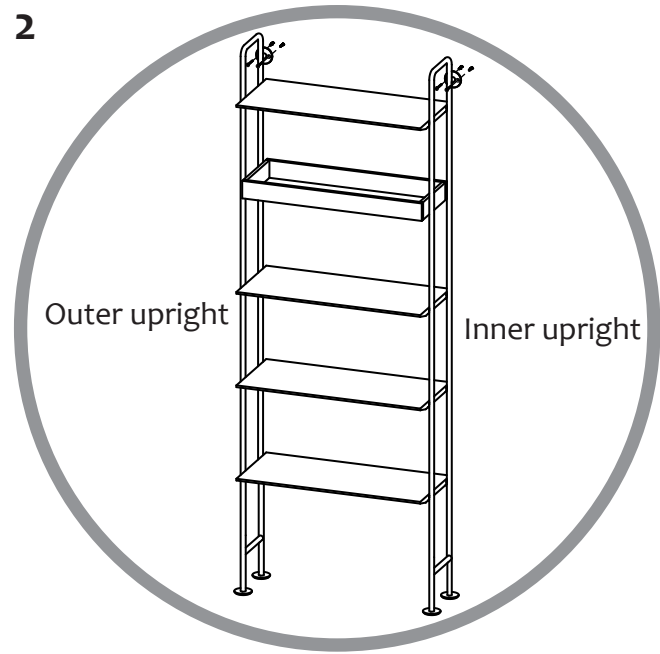
ASSEMBLING MULTI BAY SOLUTIONS

1



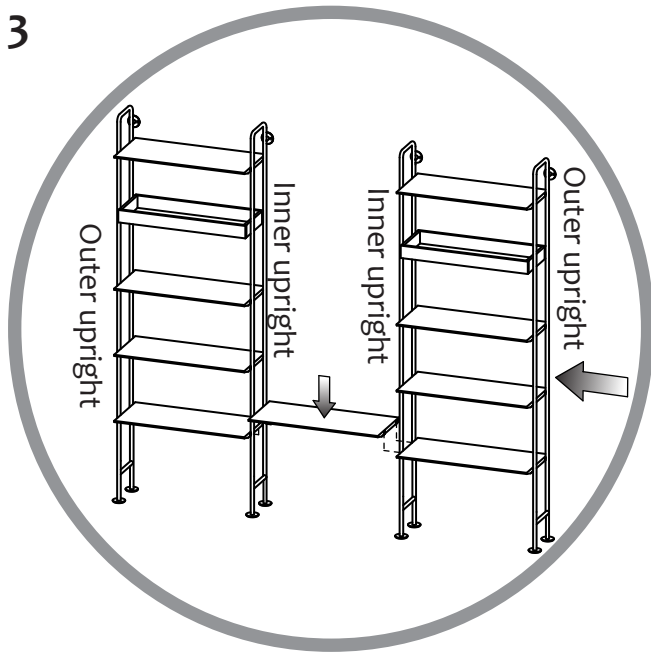
Assemble both outer units [x2].

2



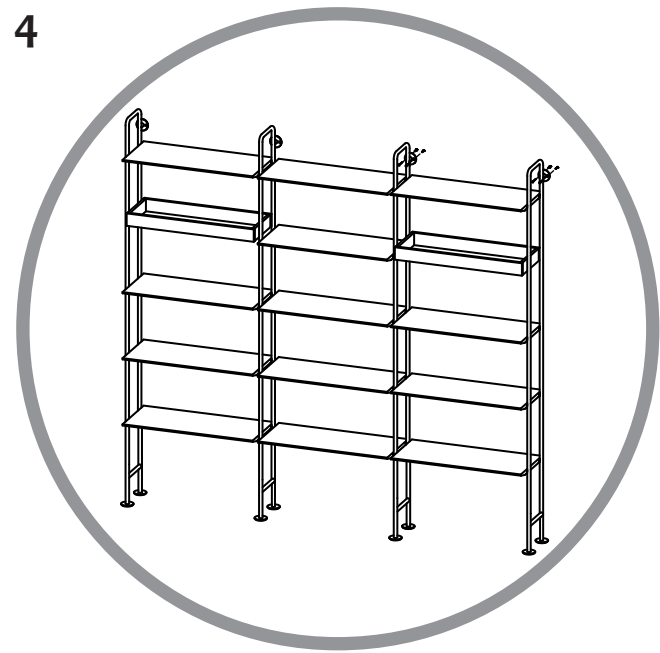
Attach one outer unit to wall with provided hardware.

3



Place remaining outer unit on wall. Install shelf pieces between inner uprights and tighten cams.

4

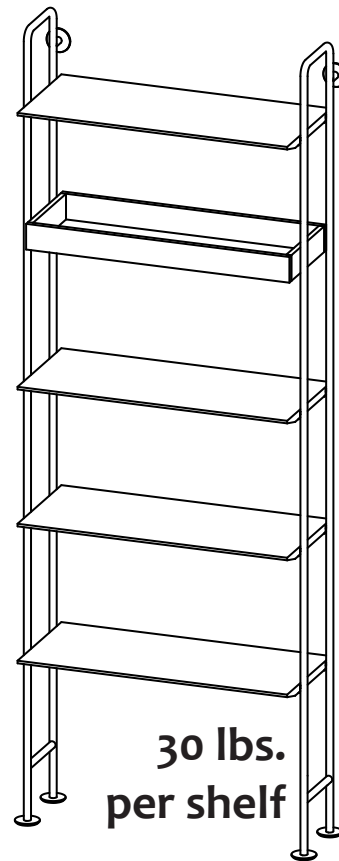


Attach remaining unit to wall with provided hardware.

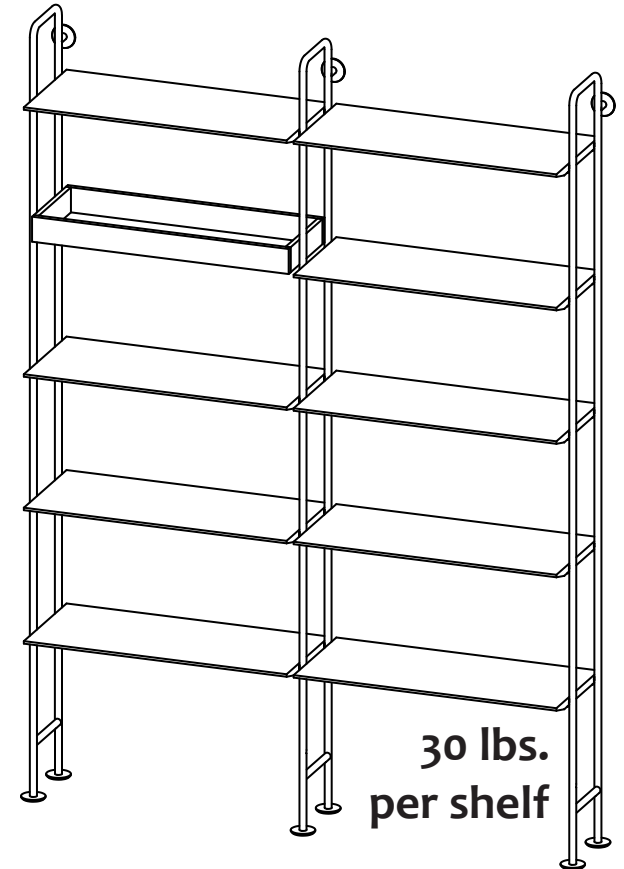
! WARNING

Serious or fatal crushing injuries can occur from furniture tip-over. To help prevent tip-over:

- Place heaviest items on the lowest shelves or in the lowest drawers and as far back as possible.
- Unless specifically designed to accommodate, do not set TVs or other heavy objects on top of this product.
- Never allow children to climb or hang on drawers, doors, or shelves.



**20 lbs.
per tray**



WARNING: Do not exceed the recommended weight limits on the designated panels. Exceeding these limits could cause sagging, possibly resulting in failure of product or bodily injury. Severe injury may occur if furniture tips over. Never allow children to climb or play on this product. Place heaviest items on lower shelves and as far back as possible, never overload product.