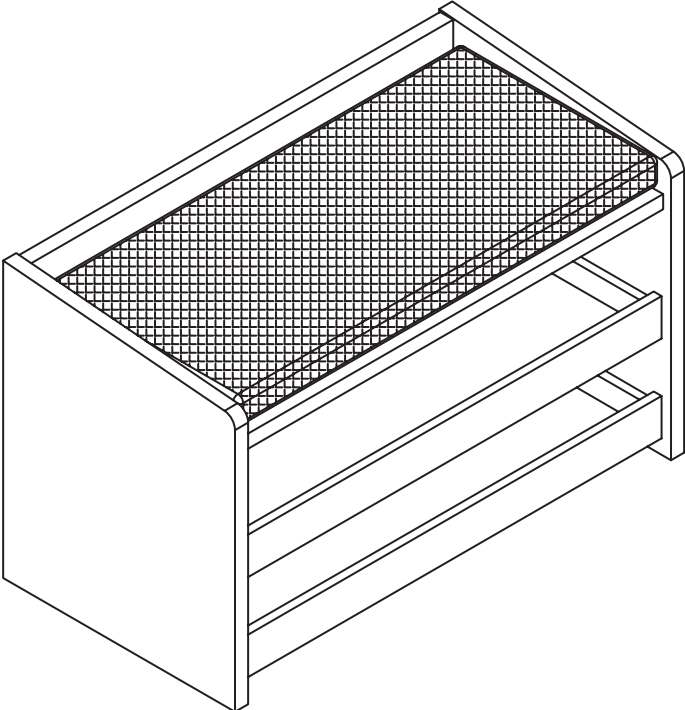
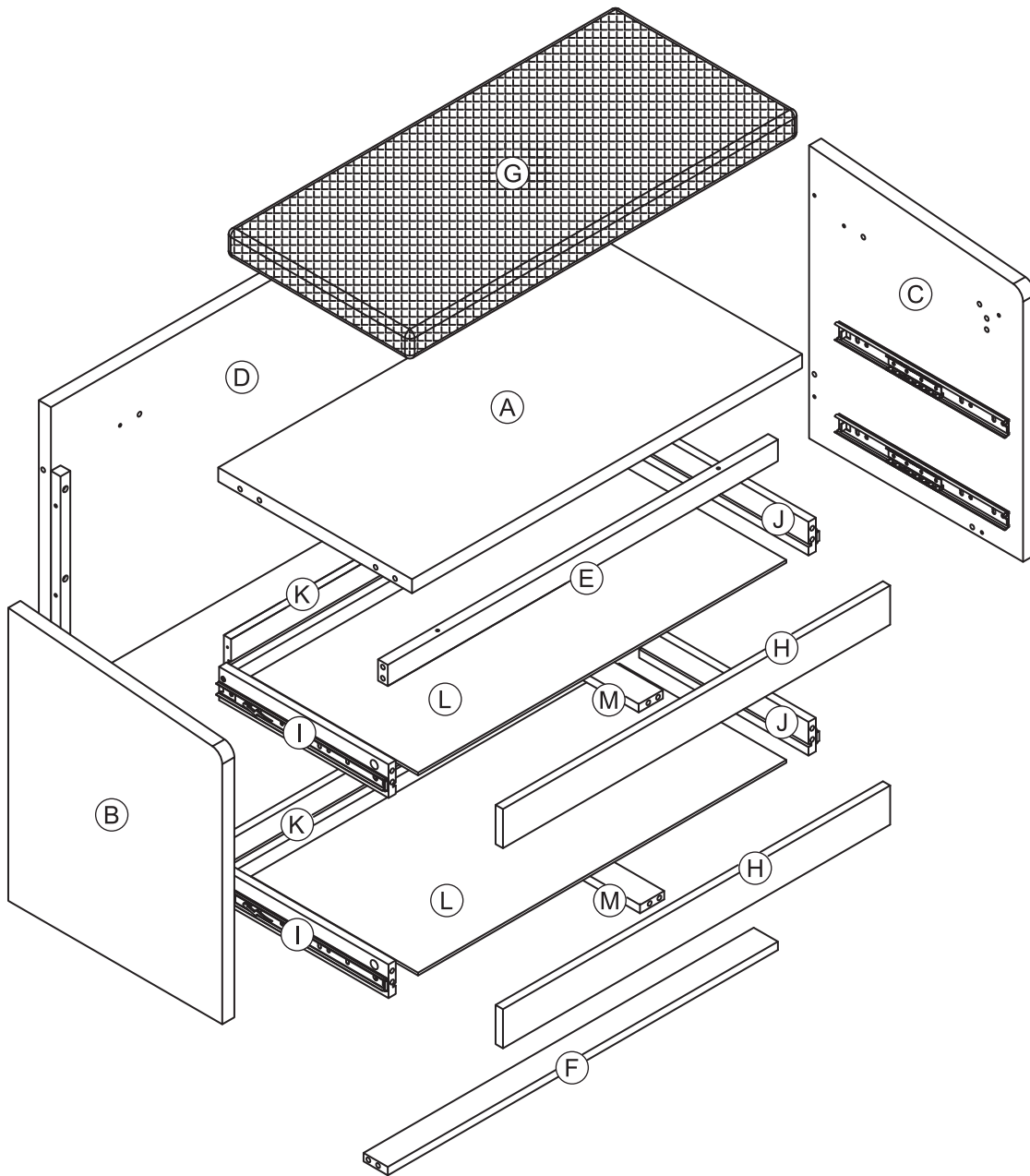


# The Container Store<sup>®</sup>

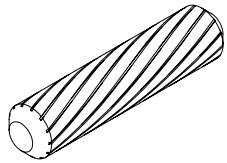
## Assembly Instructions Mercer Bench



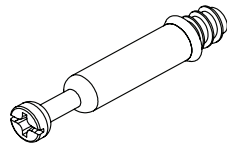


<b>A</b>	<b>Top Panel</b>	<b>1</b>
<b>B</b>	<b>Left Side Panel</b>	<b>1</b>
<b>C</b>	<b>Right Side Panel</b>	<b>1</b>
<b>D</b>	<b>Back Panel</b>	<b>1</b>
<b>E</b>	<b>Upper Rail</b>	<b>1</b>
<b>F</b>	<b>Lower Rail</b>	<b>1</b>
<b>G</b>	<b>Cushion</b>	<b>1</b>
<b>H</b>	<b>Drawer Front</b>	<b>2</b>
<b>I</b>	<b>Left Drawer Side</b>	<b>2</b>
<b>J</b>	<b>Right Drawer Side</b>	<b>2</b>
<b>K</b>	<b>Drawer Back</b>	<b>2</b>
<b>L</b>	<b>Drawer Bottom</b>	<b>2</b>
<b>M</b>	<b>Drawer Support</b>	<b>2</b>

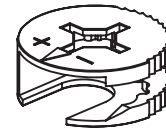
Please review the hardware listed on the next page as well as individual components of this product. As you unpack and prepare for assembly, place the contents on a carpeted or padded area to protect them from damage.



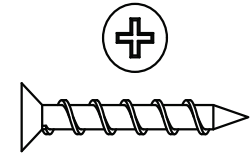
**H1 x 24  
WOODEN  
DOWEL**



**H2 x 14  
CAM  
BOLT**



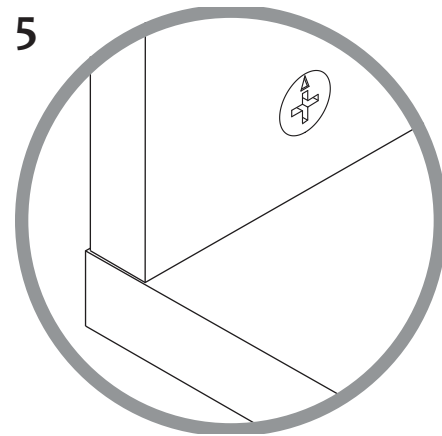
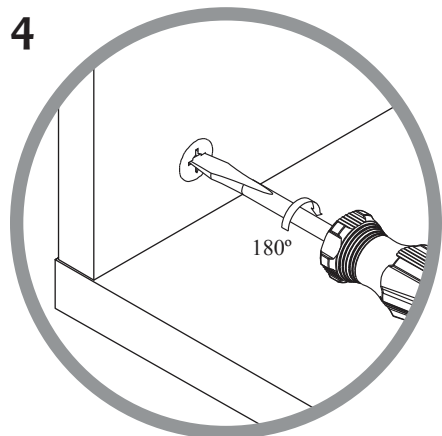
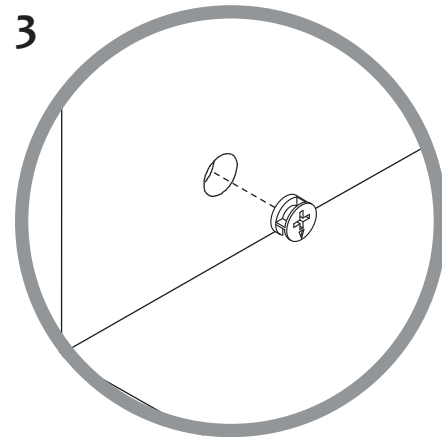
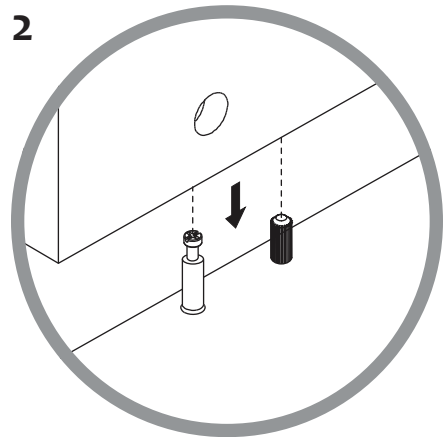
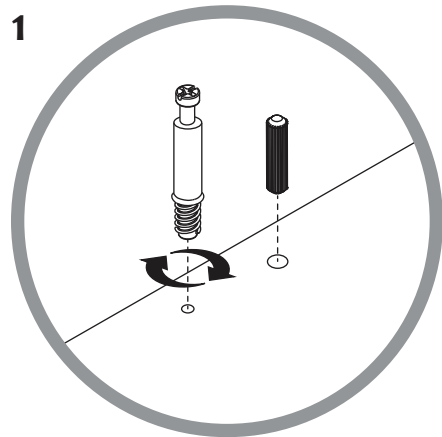
**H3 x 14  
CAM**



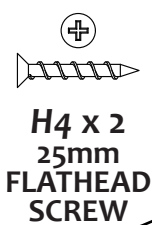
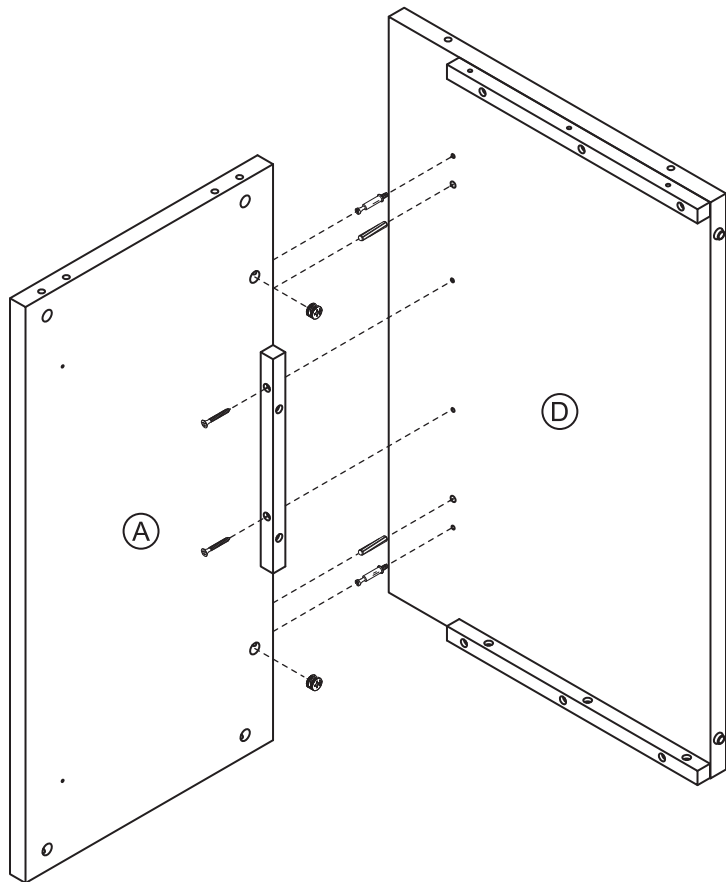
**H4 x 16  
25mm  
FLATHEAD  
SCREW**

**TOOLS REQUIRED:**

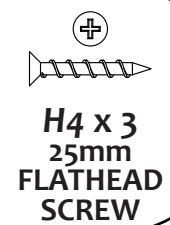
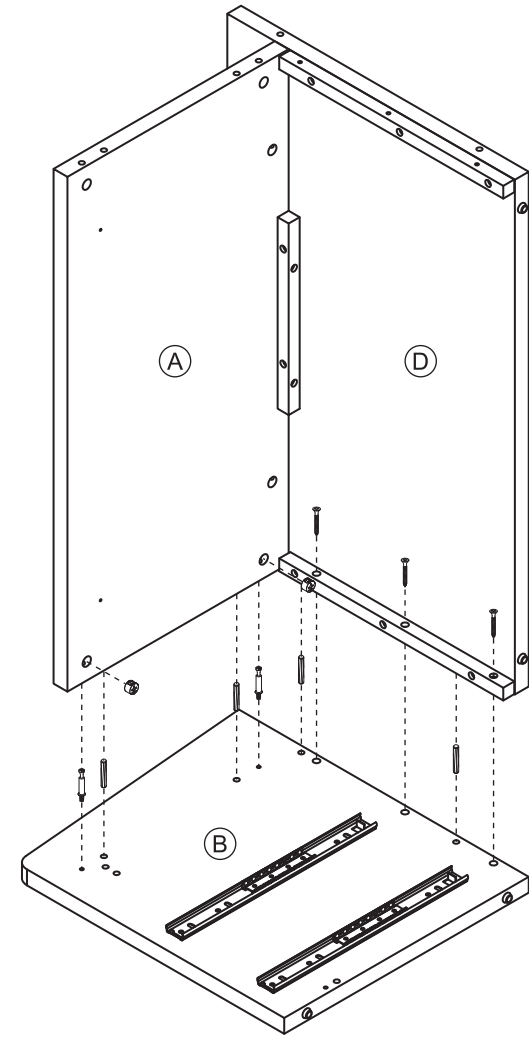
**PHILLIPS SCREW DRIVER**



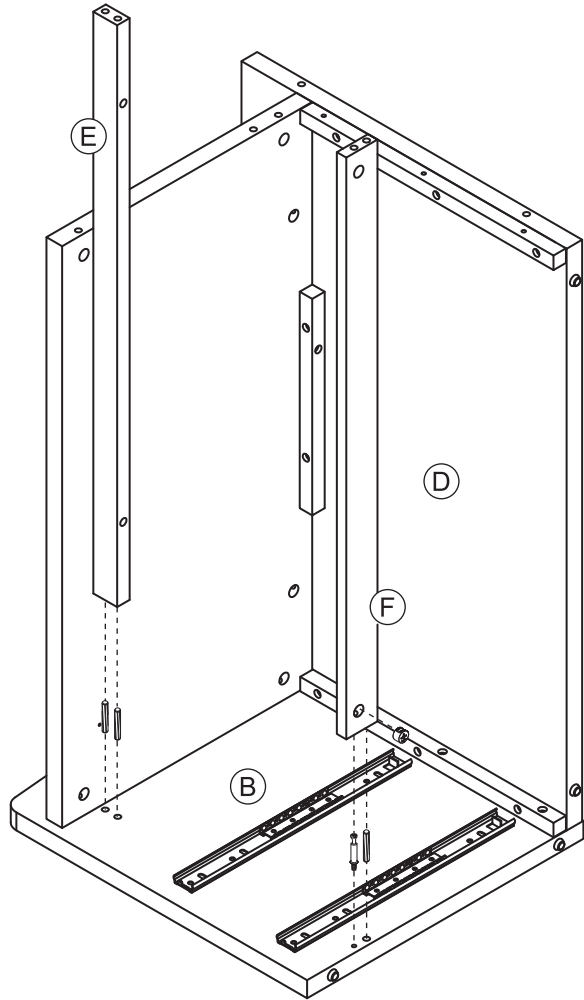
### STEP 1



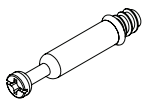
### STEP 2



### STEP 3



H1 x 3  
WOODEN  
DOWEL

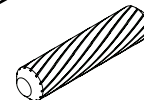
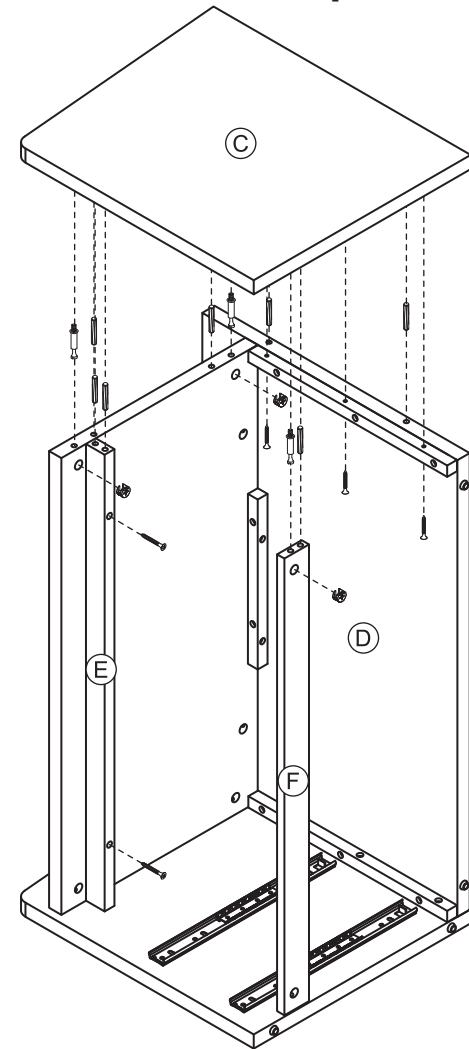


H2 x 1  
CAM  
BOLT

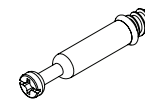


H3 x 1  
CAM

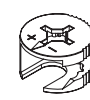
### STEP 4



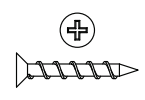
H1 x 7  
WOODEN  
DOWEL



H2 x 3  
CAM  
BOLT

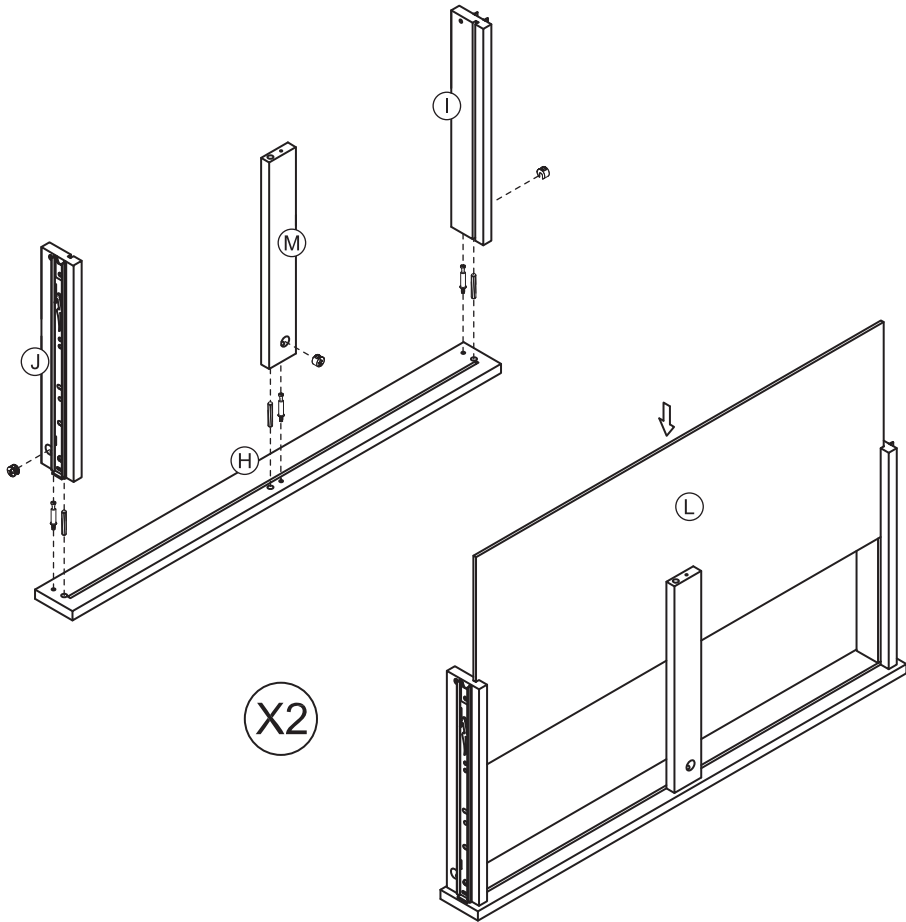


H3 x 3  
CAM

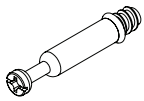


H4 x 5  
25mm  
FLATHEAD  
SCREW

### STEP 5



H1 x 6  
WOODEN  
DOWEL

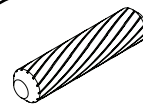
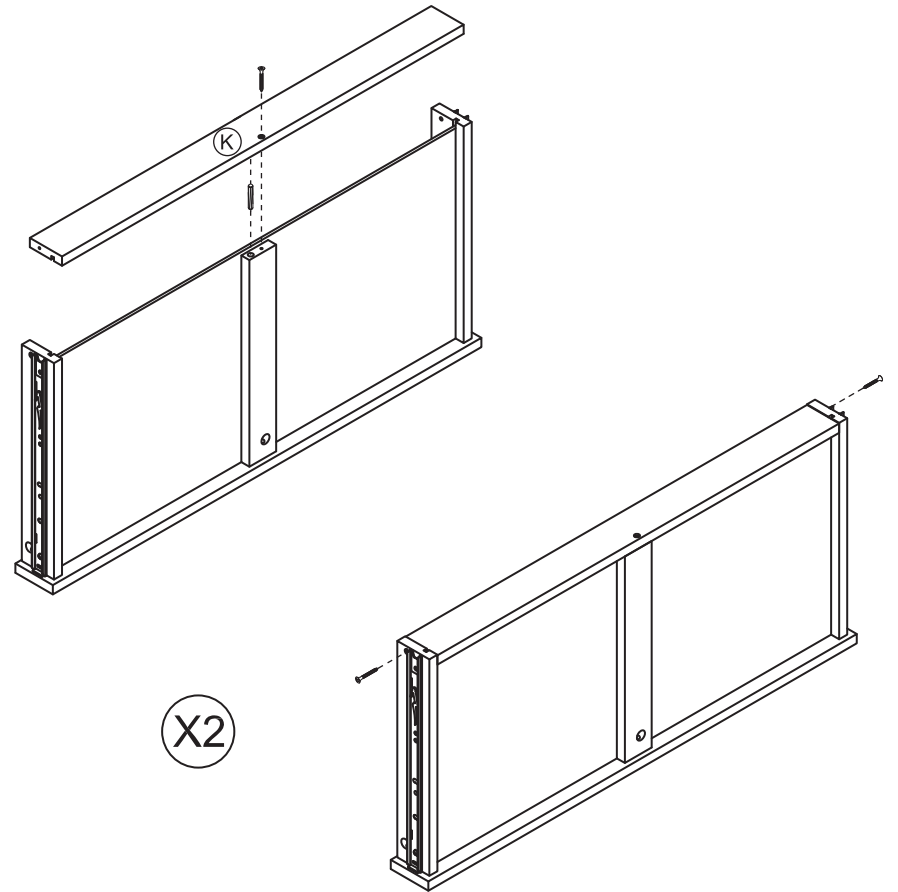


H2 x 6  
CAM  
BOLT

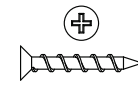


H3 x 6  
CAM

### STEP 6

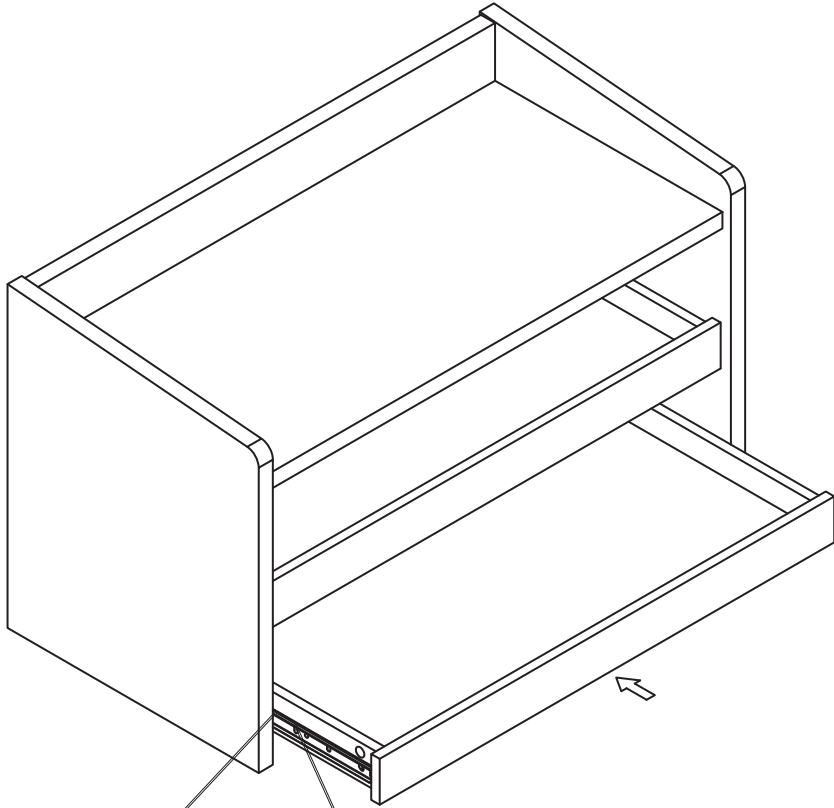


H1 x 2  
WOODEN  
DOWEL

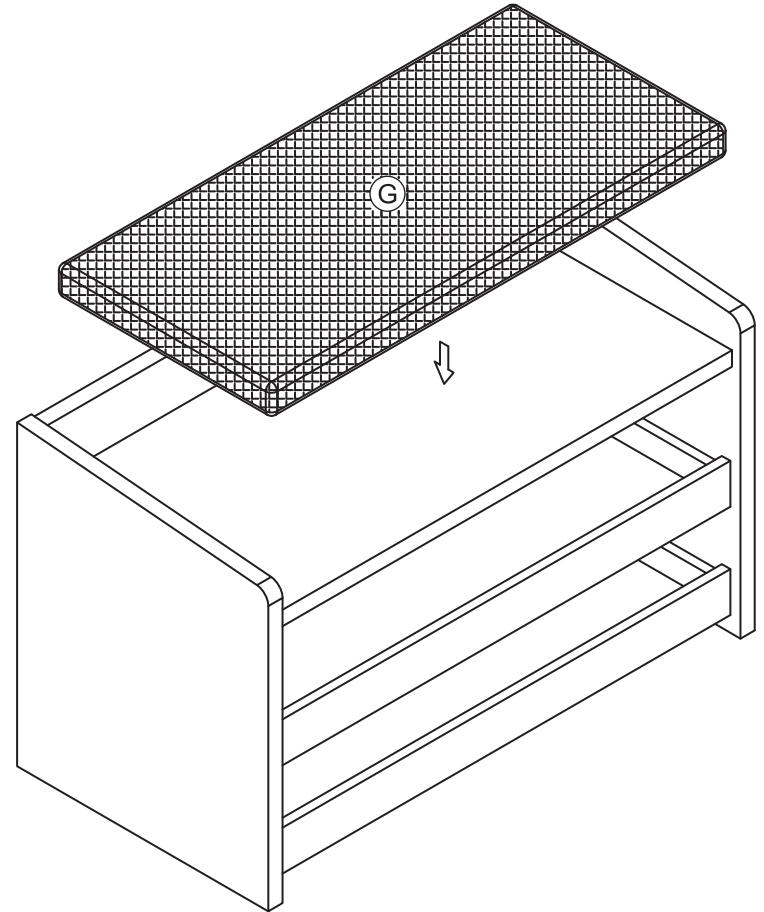


H4 x 6  
25mm  
FLATHEAD  
SCREW

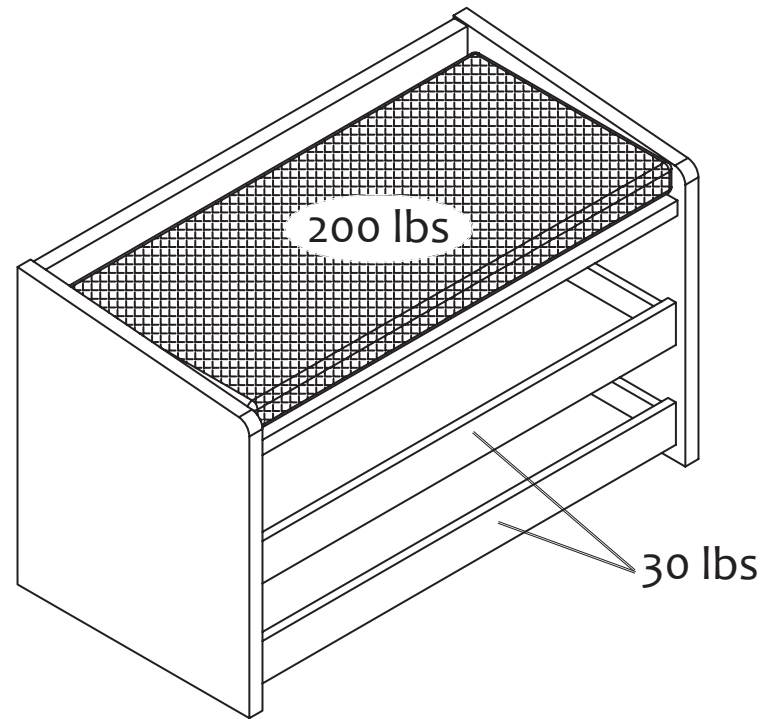
### STEP 7



### STEP 8







WARNING: Do not exceed the recommended weight limits on the designated panels. Exceeding these limits could cause sagging, possibly resulting in failure of product or bodily injury. Severe injury may occur if furniture tips over. Never allow children to climb or play on this product. Place heaviest items on lower shelves and as far back as possible, never overload product.