



Store your bike with style

SOLO™



Store your bike with style

SOLO™

Introduction	3
Product features and benefits	4
Package contents	5
Dimensions	5
Compatible tube geometries	5
Versatile - compatible bike styles	6
Setting-out suggestions	7
Installation	10
Drilling template	13



Store your bike with style

SOLO™

Introduction



CYCLOC

Store your bike with style

Cycloc's unique ability to carefully combine considered thought with a twist of poetic spirit to create a range of simple, playful and practical products has earned it global recognition with numerous awards and accolades.

Founded in 2006, Cycloc operates from their design studio in London's creative East End and a manufacturing facility in the UK. A team of skilled and enthusiastic distributors and retailers provide support globally.

SOLO

Horizontal or vertical cycle storage

- Elegant and effortless cycle storage, ideal for home, office and retail display applications.
- Store bikes horizontally or vertically, accessories in the centre.
- Secure three point wall fixing, insert panel hides fixings.
- Spacer included to accommodate wide bars.
- Rotate to accommodate frame angles.
- Rubber contact points protect frame.
- Facility to lock bike in place.
- Available in 7 bright colours.

"The Solo is a minimalistic triumph of form, function and social awareness"

UK Design Council



www.cycloc.com

Cycloc is an internationally registered trademark of Andrew Lang Product Design Ltd. London
Patent No. GB2398770 EP04715378.8-2425 US10/546,742 Further International Patents Pending Design Registration No. 3010424.
© CYCLOC 6 Culford Mews London N1 4DX

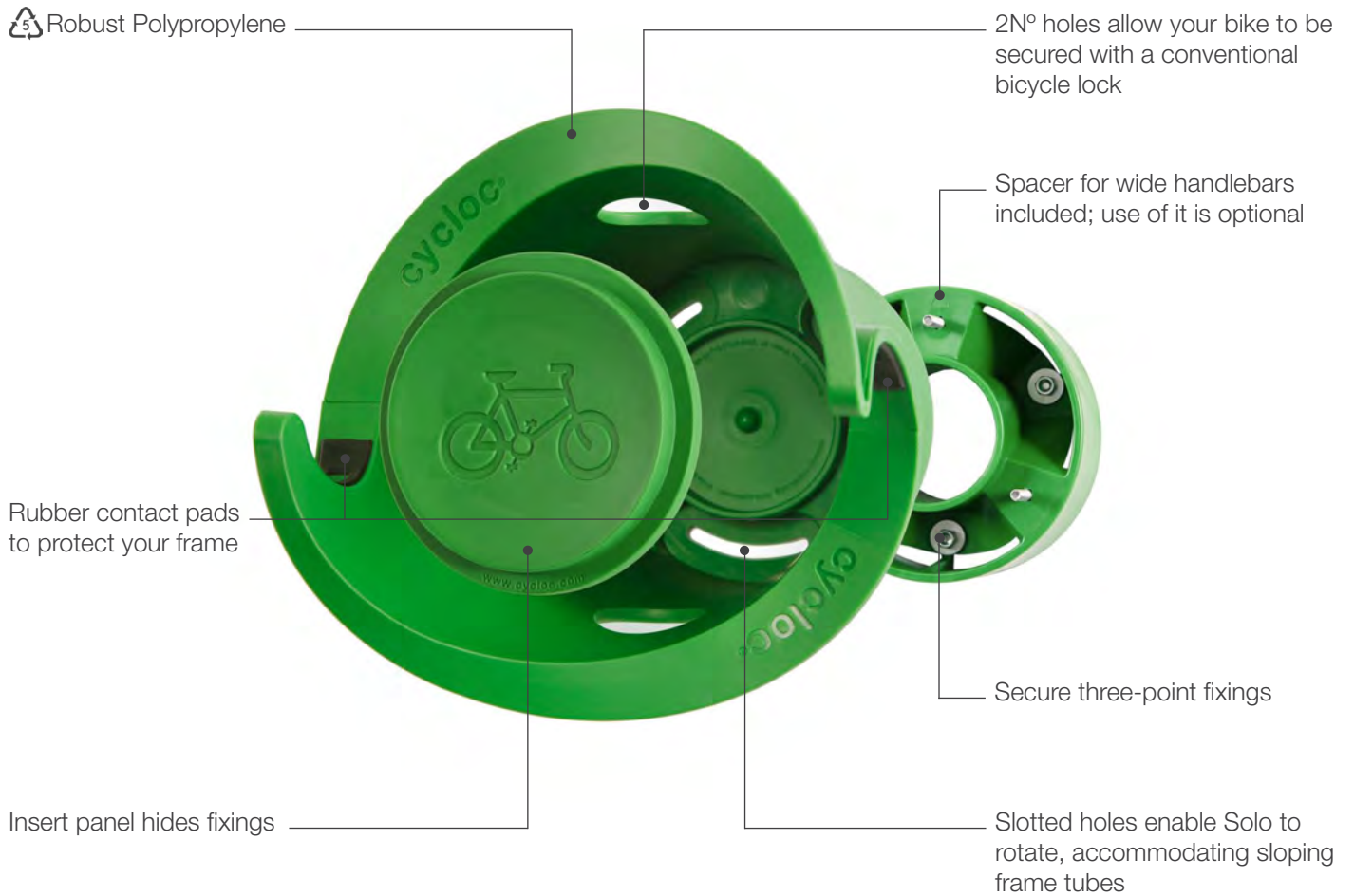




Store your bike with style

SOLO™

Product features and benefits



Facility to lock



Store your accessories



Horizontal or vertical storage



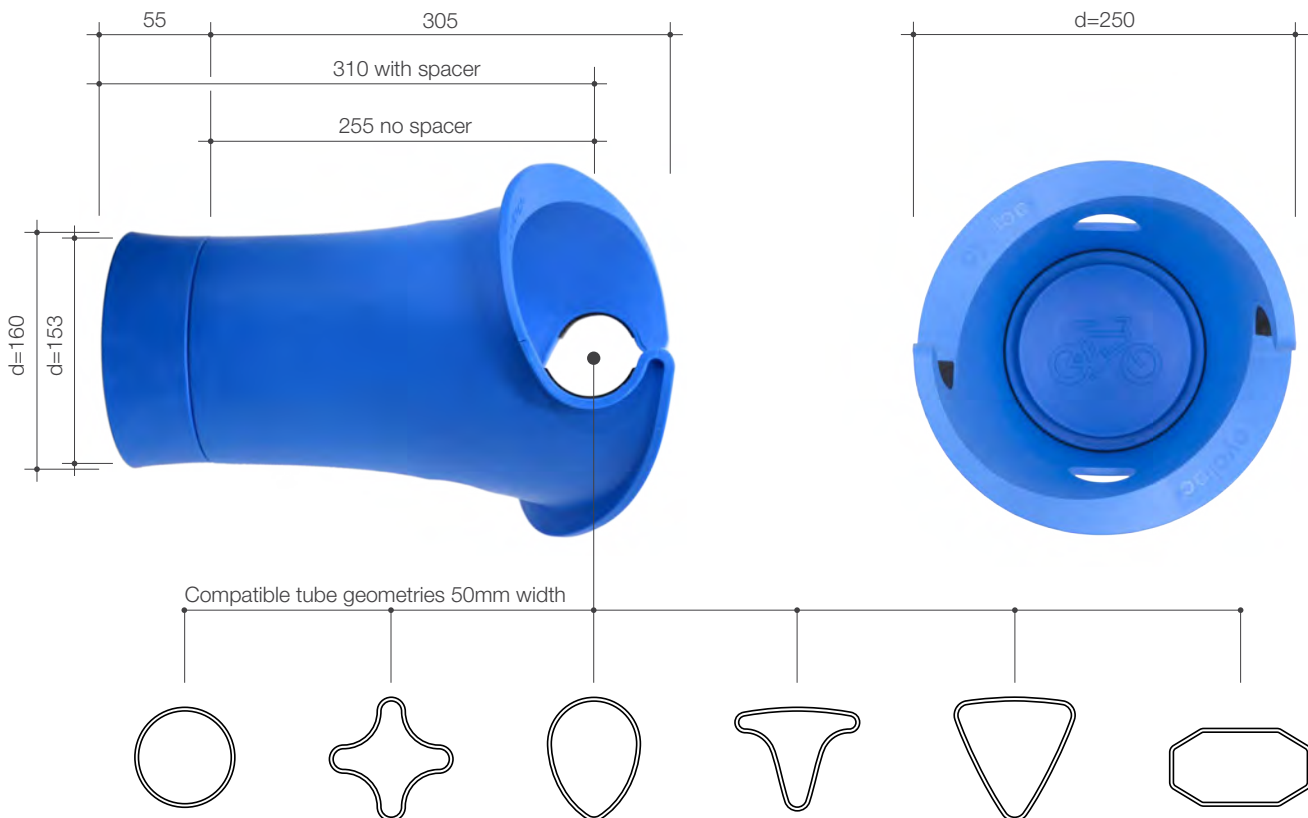
Store your bike with style

SOLO™

Package contents



Dimensions (in mm)

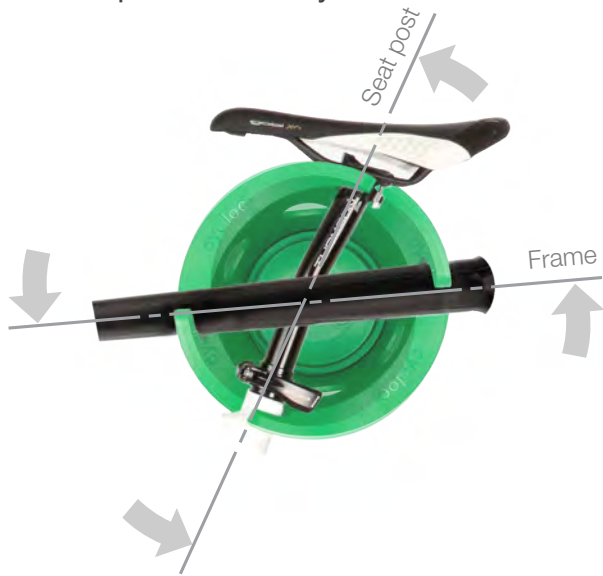




Store your bike with style

SOLO™

Versatile - compatible bike styles



Road bikes



Town bikes



Folding bikes



Mountain bikes



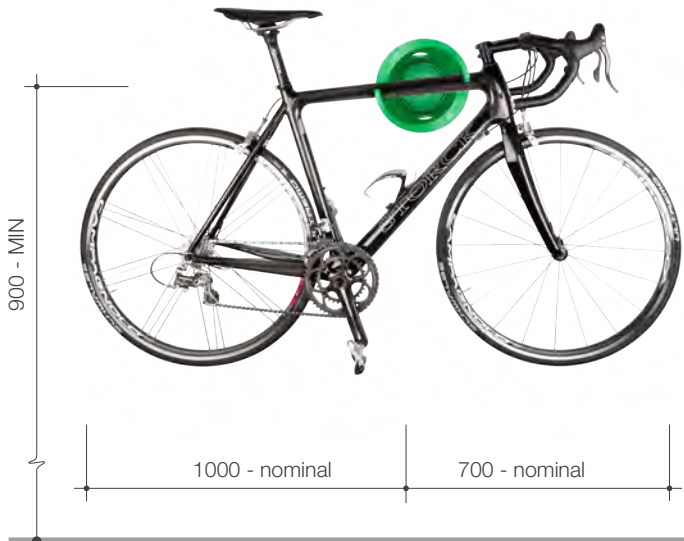
Strida bikes



Store your bike with style

SOLO™

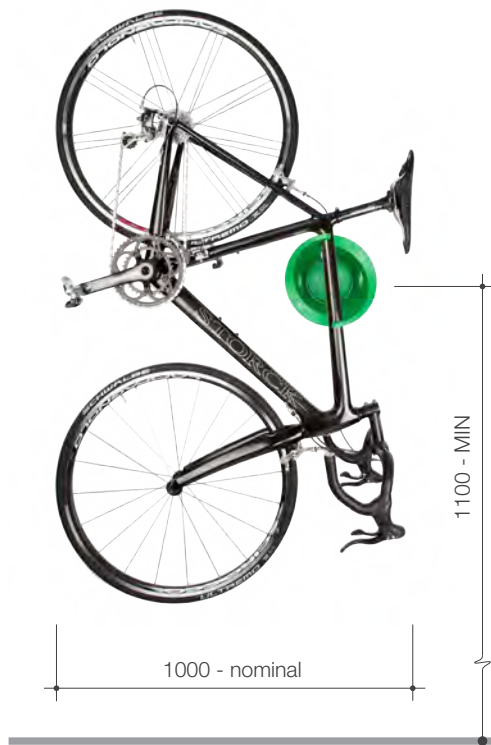
Setting-out suggestions (in mm)



Single bike horizontal - frame



Single bike horizontal - seat post



Single bike vertical - frame



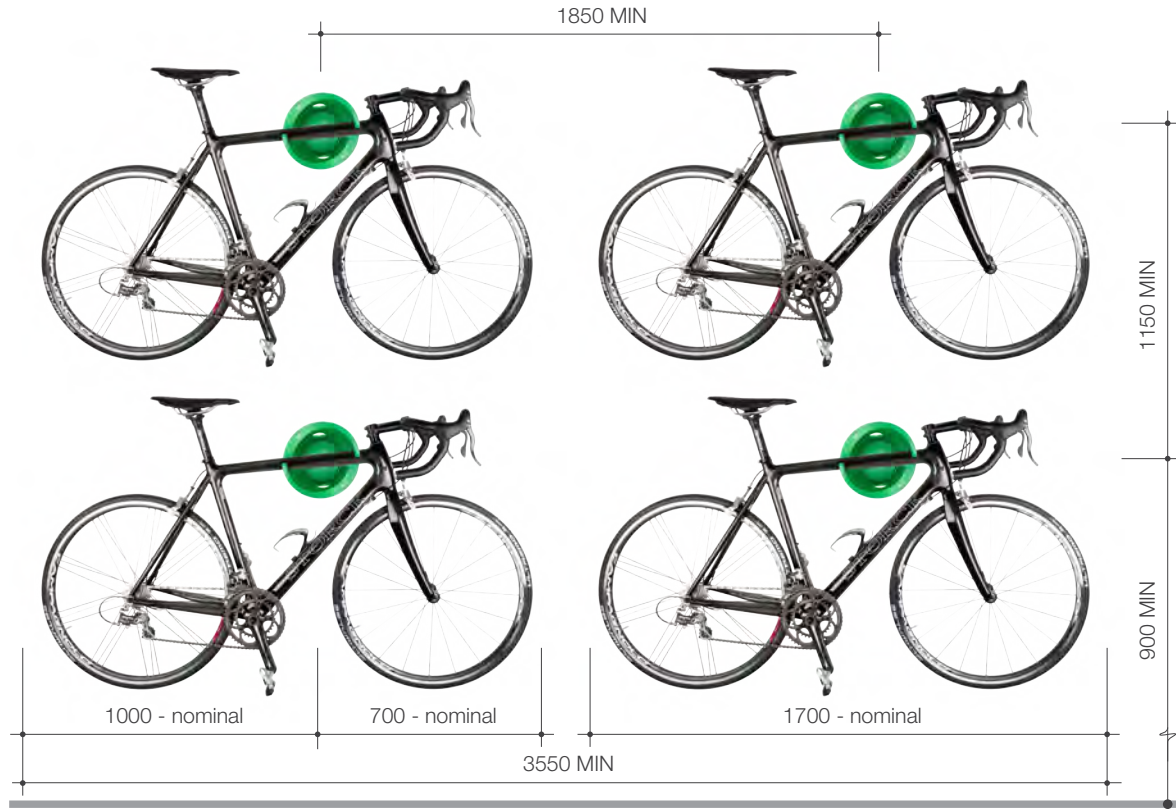
Single bike vertical - seat post



Store your bike with style

SOLO™

Setting-out suggestions (in mm)



Multiple bikes horizontal - frame



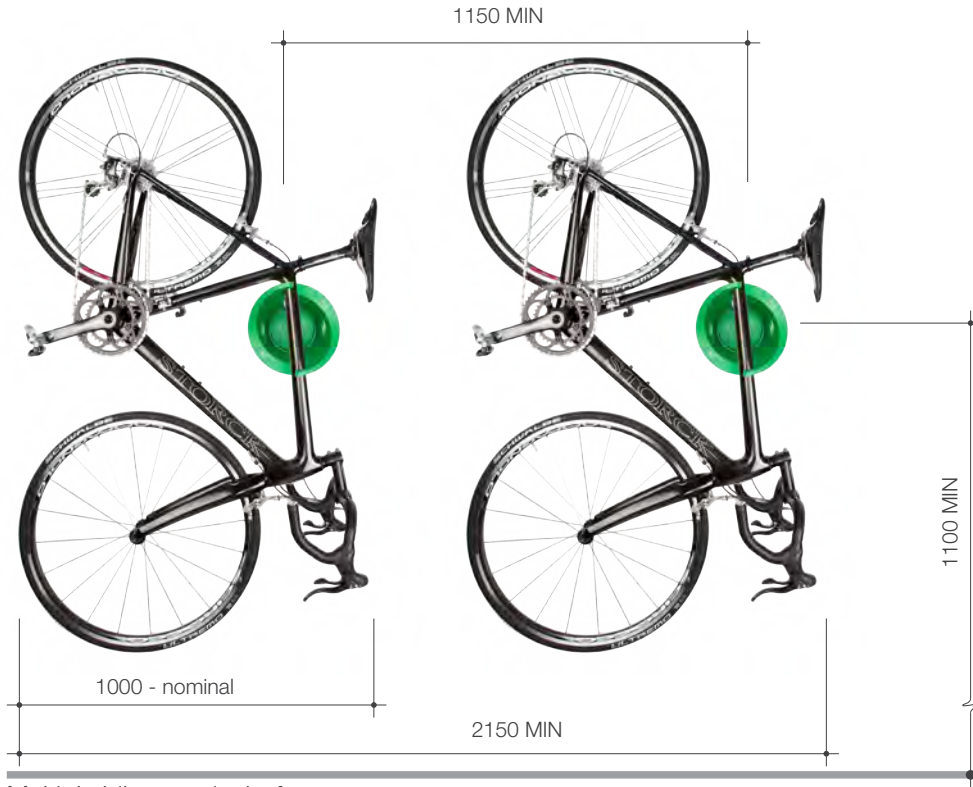
Multiple bikes horizontal - seat post



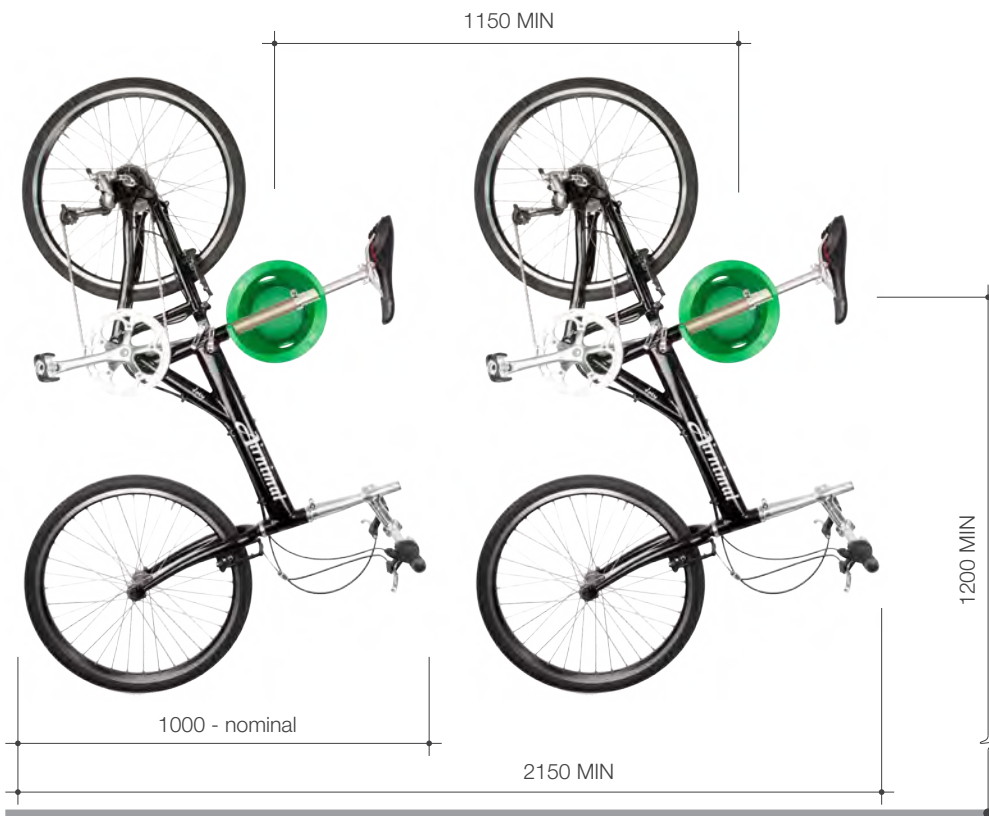
Store your bike with style

SOLO™

Setting-out suggestions (in mm)



Multiple bikes vertical - frame



Multiple bikes vertical - seat post



Store your bike with style

SOLO™

Installation

Tools required*



Spacer (in mm)





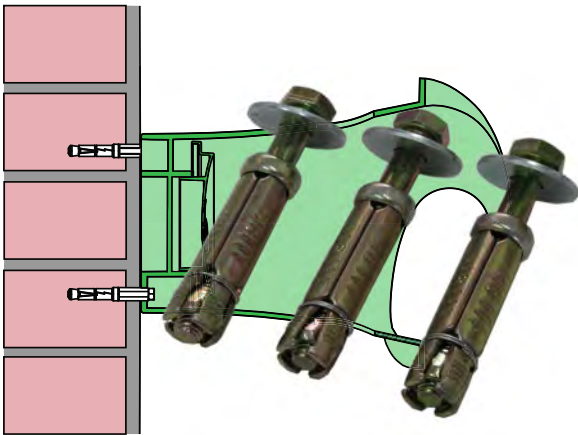
Store your bike with style

SOLO™

Installation

Fixings

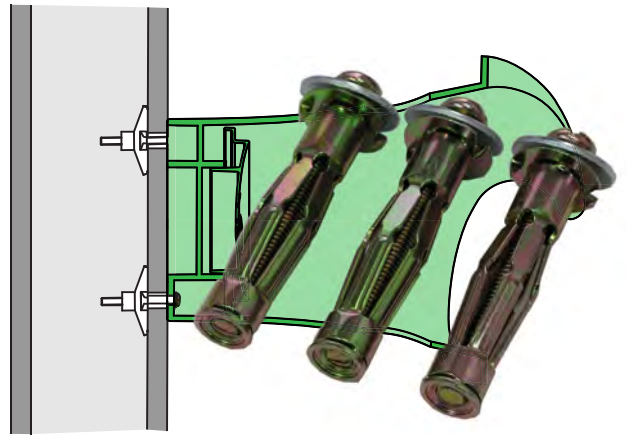
MASONRY



x3 M6x70 Loose bolt shield anchor.

NOTE: If your walls have a very thick layer of plaster or render use a longer fixing to ensure the anchor is in the brick.

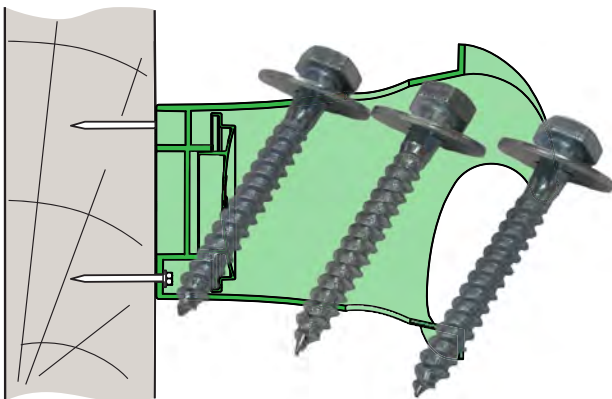
HOLLOW



x3 M6x70 Metal hollow wall fixing.

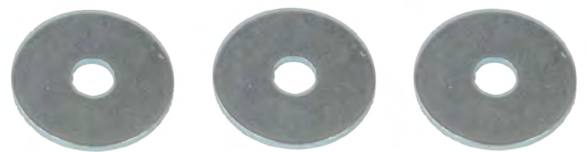
NOTE: when Solo is mounted on a hollow wall, the structure must be capable of taking additional load. Ideally at least one should be into a 'timber stud' - with a suitable size of wood screw.

SOLID TIMBER



x3 8x60 Coach screw.

WASHER



x3 diam=19mm To be used for all wall types.

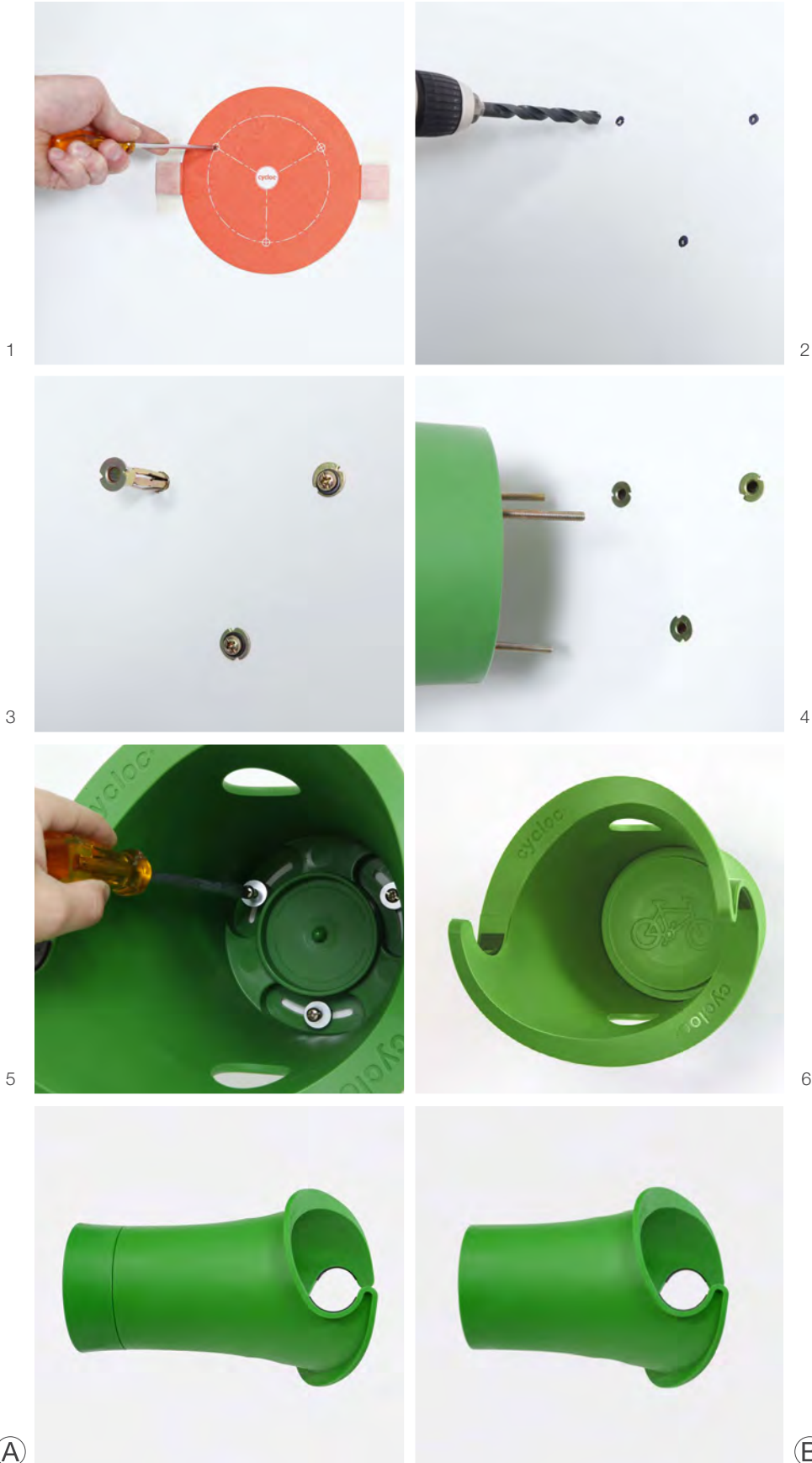
FIXINGS NOT SUPPLIED



Store your bike with style

SOLO™

Installation

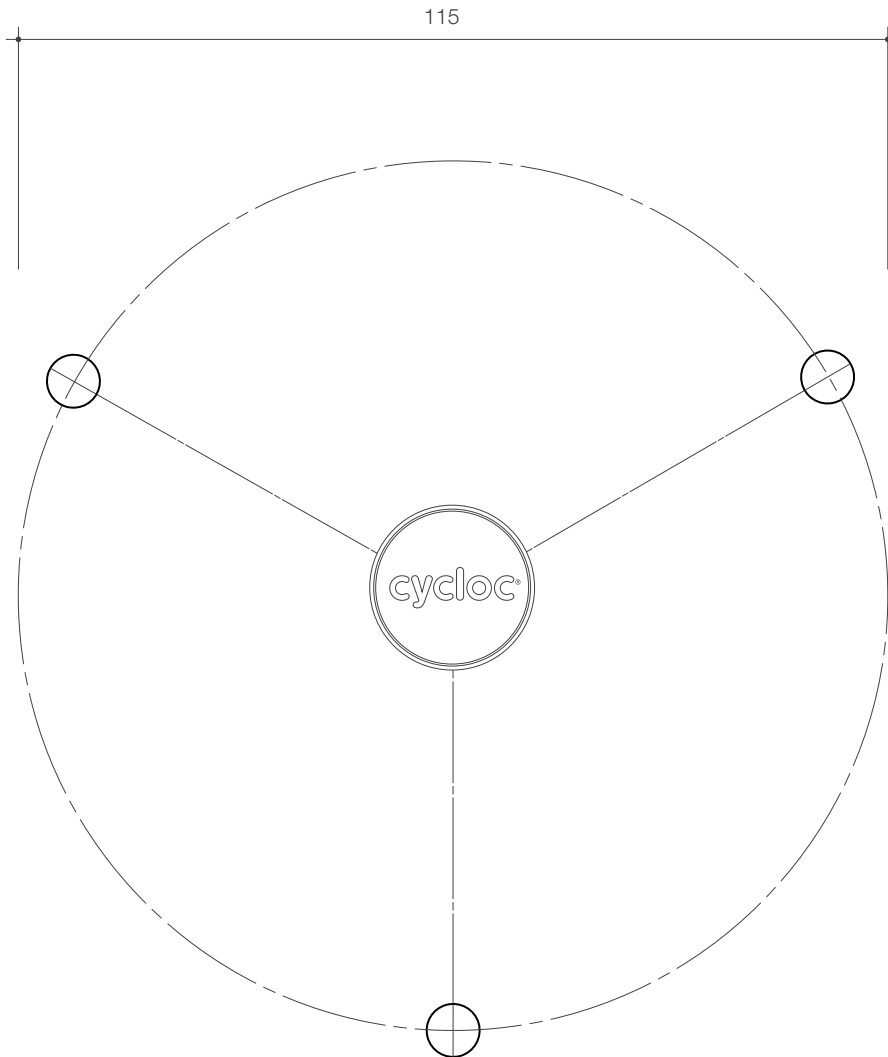




Store your bike with style

SOLO™

Drilling template (in mm)



NOTE:

- To use template, this sheet must be printed on A4 paper.
- Pitch circle's diameter should be 115mm.