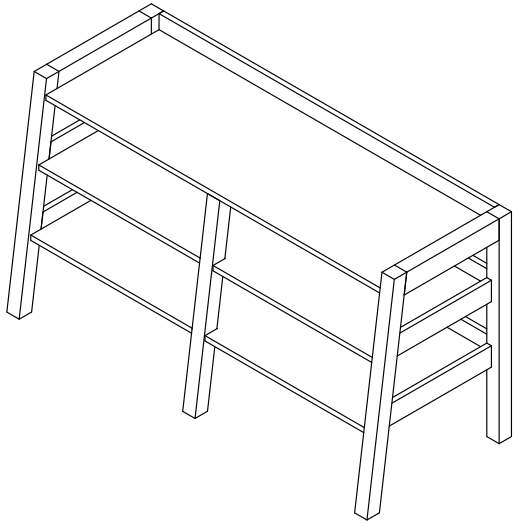


## Linea Media Stand

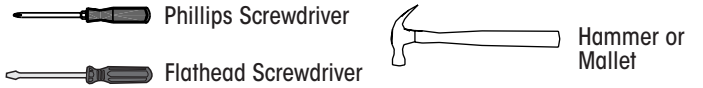
## Assembly Instructions

Please read all of the information below before you begin.



Thank you for purchasing the Linea Media Stand. The contents included in the box are located below and on the next page. Please take the time to identify the hardware and media stand components. As you unpack and prepare for assembly, place the contents on a carpeted or padded surface to protect them from damage.

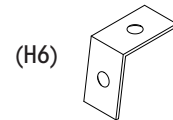
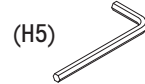
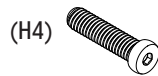
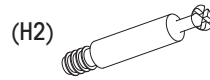
### Required Assembly Tools



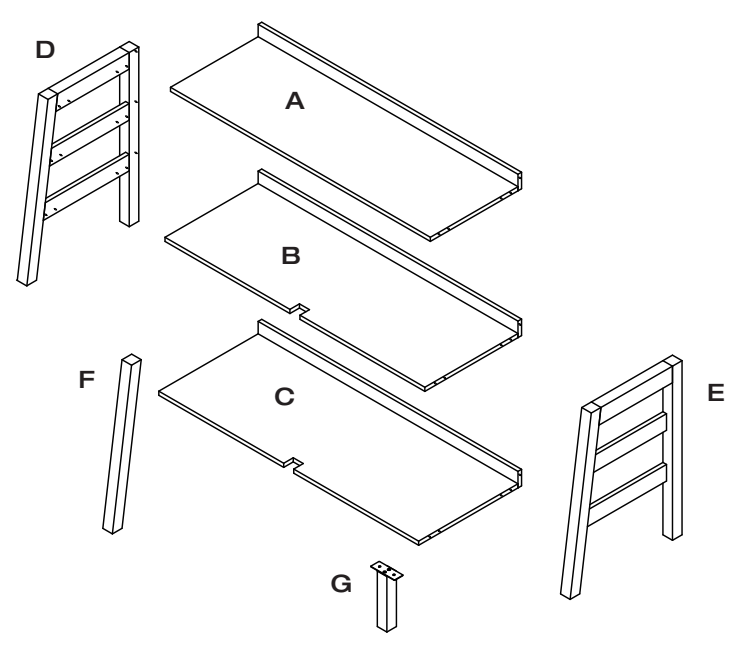
You will need both Phillips and flathead screwdrivers. Use a mallet/hammer to tap the dowels into place.

### Hardware

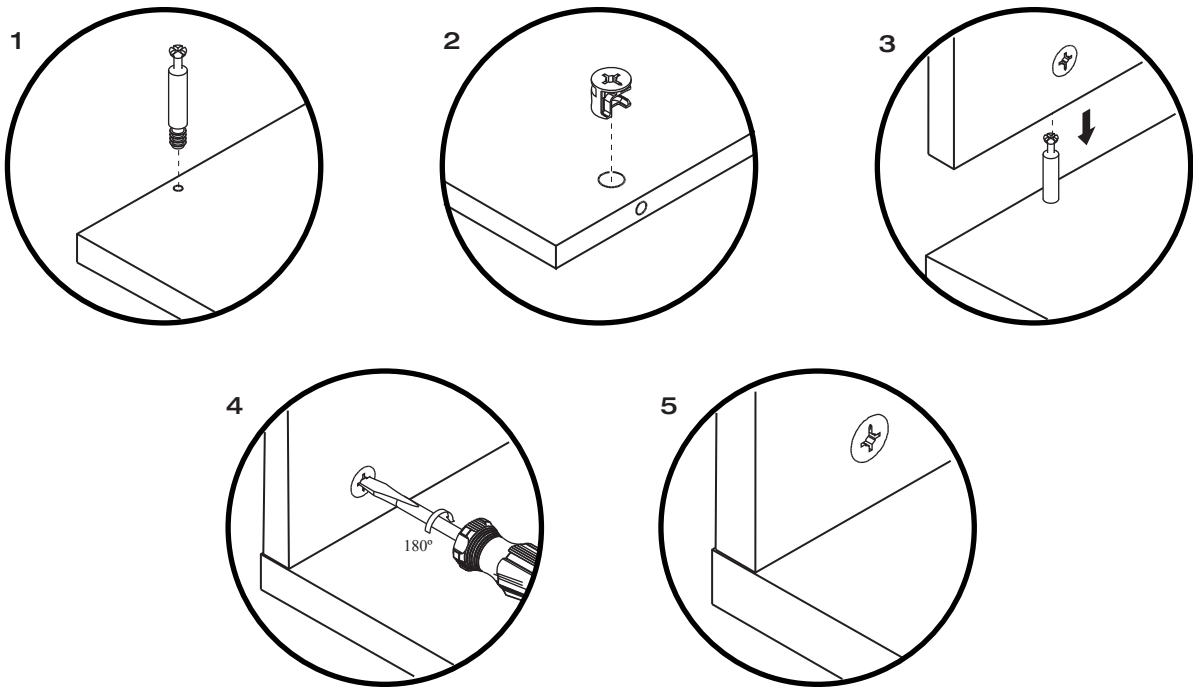
- (H1) x 12+1 extra wooden dowel
- (H2) x 18+1 extra cam bolt
- (H3) x 18+1 extra cam lock
- (H4) x 8+1 extra bolt
- (H5) x 1 Allen wrench
- (H6) x 3 corner bracket



**WARNING** — Severe injury may occur if furniture tips over. Never allow children to climb or play on this product. Place heavier items on lower shelves as far back as possible and never overload. Follow all instructions listed in this assembly guide and always use the anti-tip hardware to mount unit to a wall.

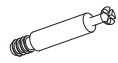
Item Description	Quantity	
A. Top Shelf	1	
B. Middle Shelf	1	
C. Bottom Shelf	1	
D. Left Side Assembly	1	
E. Right Side Assembly	1	
F. Front Leg	1	
G. Rear Leg	1	

### Cam Lock Instructions



### Step 1

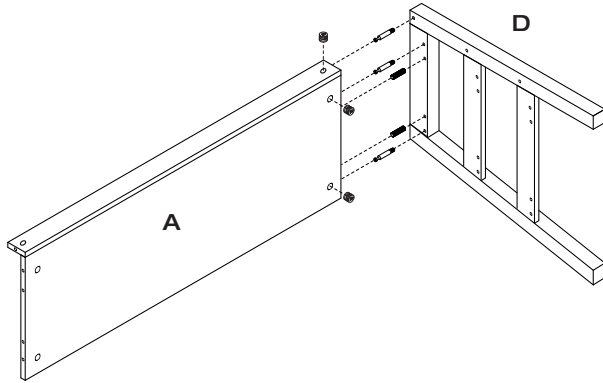
(H1) x 6 wooden dowel



(H2) x 9 cam



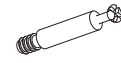
(H3) x 3 cam lock



1. Refer to the cam lock instructions to secure parts (A + D).
2. Repeat with parts (B + C).

### Step 2

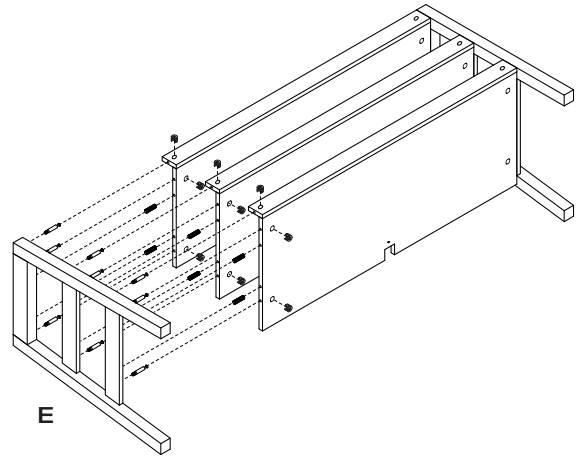
(H1) x 6 wooden dowel



(H2) x 9 cam



(H3) x 3 cam lock



1. Secure part (E) to the assembled unit, following the cam lock instructions.

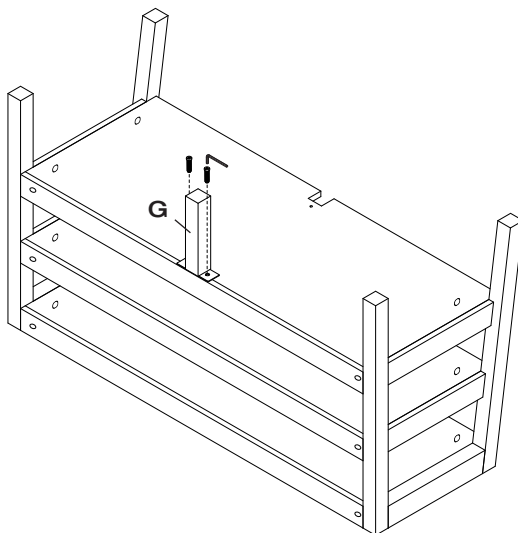
### Step 3



(H4) x 2 bolt



(H5) x 1 Allen wrench



1. Use the bolts to secure part (G) to the underside of the unit.

### Step 4



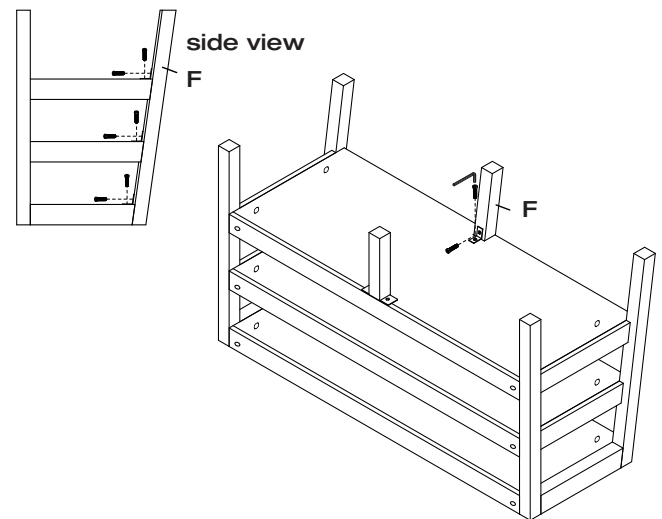
(H4) x 6 bolt



(H5) x 1 allen wrench



(H6) x 3 corner bracket



1. Secure part (F) using the bolts and corner bracket.
2. Use corner brackets on the underside of the top two shelves.

## Weight Limit Warning

**⚠** Do not exceed the recommended weight limits on the designated shelves. Exceeding these limits can cause sagging, possibly resulting in shelf failure or bodily injury.

