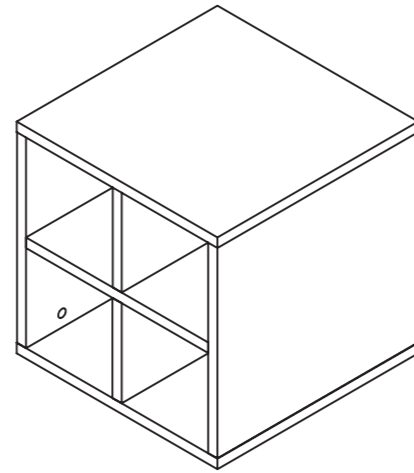


# Premium Quartered Cube

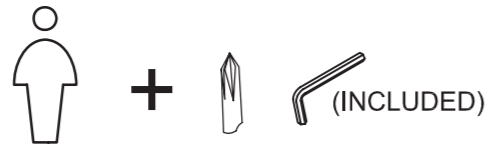
Questions?  
Please call us at toll-free 1-888-CONTAIN

## ASSEMBLY INSTRUCTIONS:

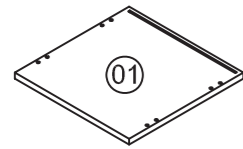
Thank you for purchasing the Premium Quartered Cube. This page lists all the contents included in the box. Please follow the step by step instructions. As you unpack, place all components on a protected surface to prevent scratching and damage.



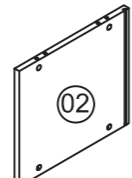
## ASSEMBLY REQUIREMENTS:



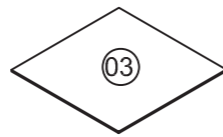
## PARTS:



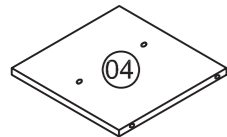
TOP / BOTTOM PANEL X 2



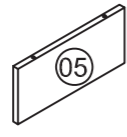
SIDE PANELS X 2



BACK PANEL X 1



FIXED SHELF X 1

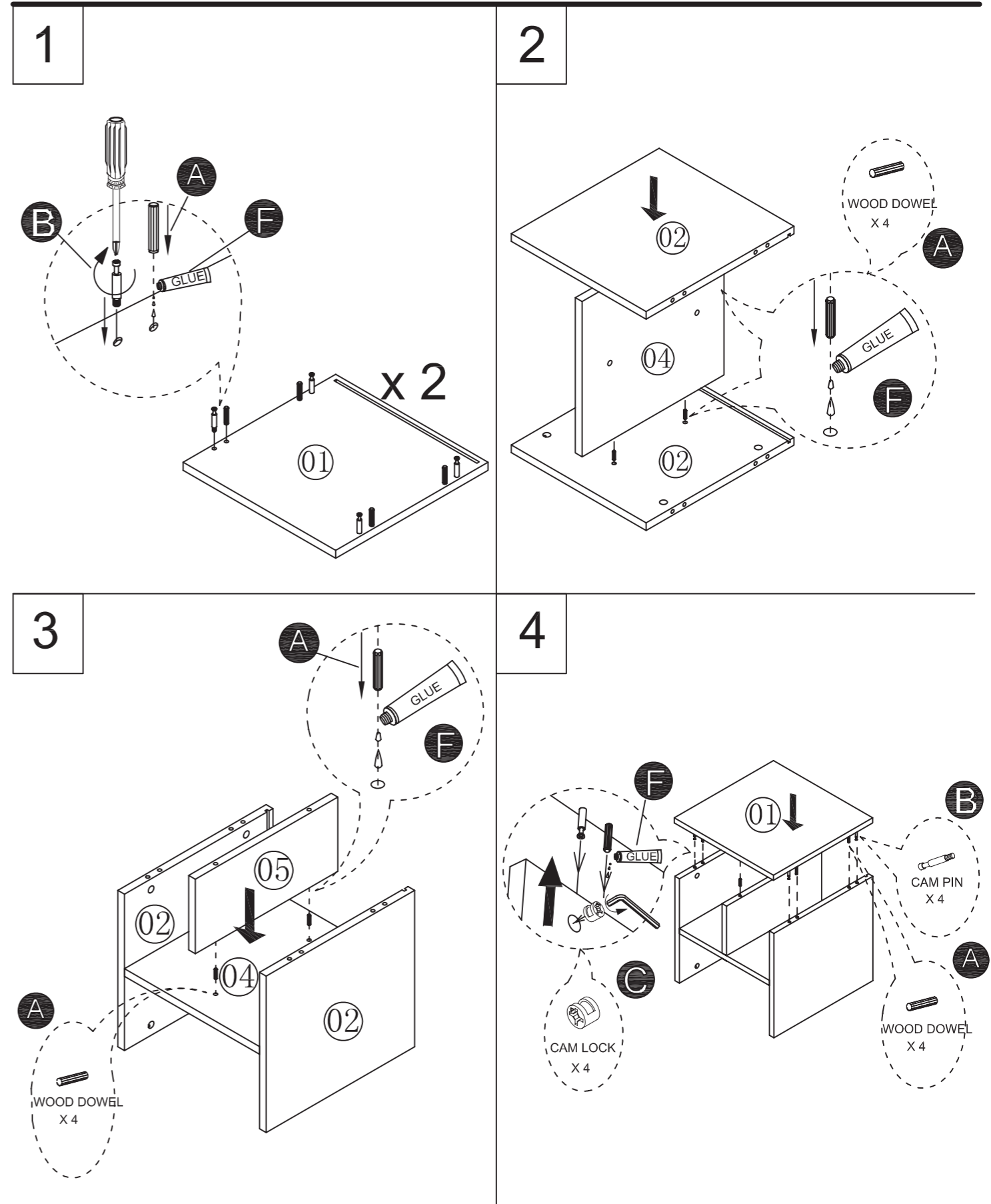


DIVIDING PANEL X 2

## HARDWARE:

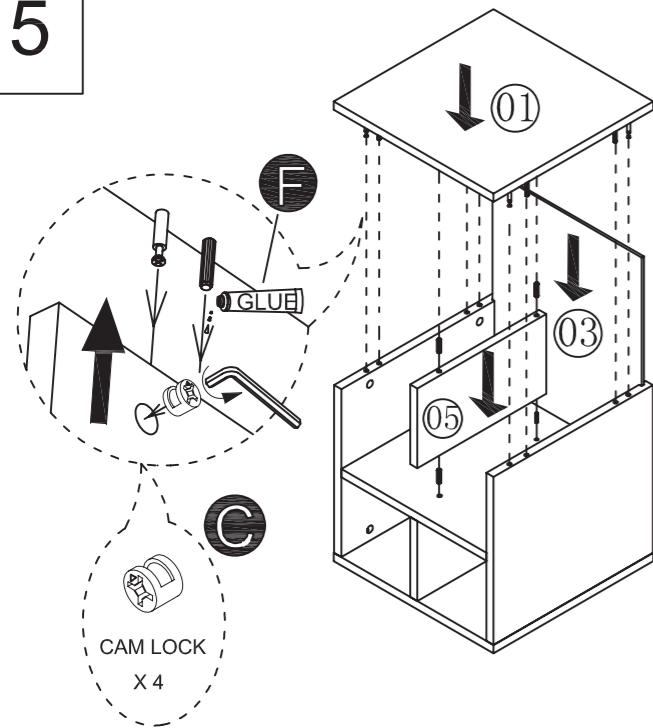
(A) WOOD DOWELS	X 20		(B) CAM PIN	X 8	
(C) CAM LOCK	X 8		(D) CAP	X 8	
(E) ALLEN WRENCH	X 1		(F) GLUE	X 1	
(G) BUMPER (OPTIONAL)	X 4		(H) CONNECTED PLATE	X 2	
(I) CONNECTED PLATE SCREW	X 4				

# Premium Quartered Cube

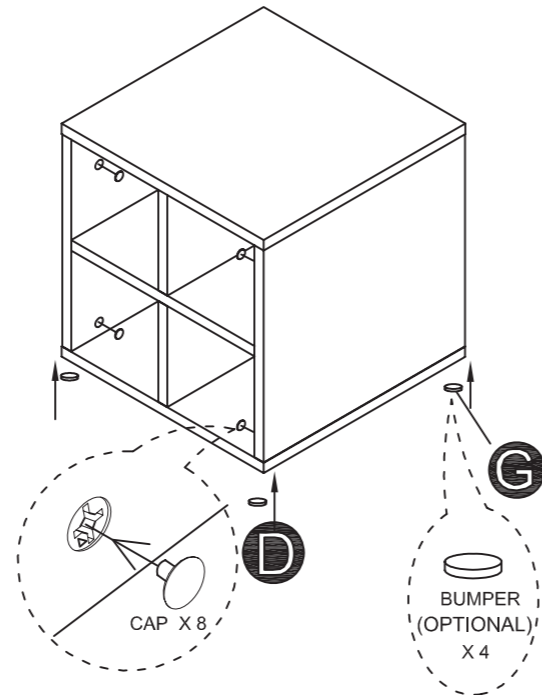


# Premium Quartered Cube

5

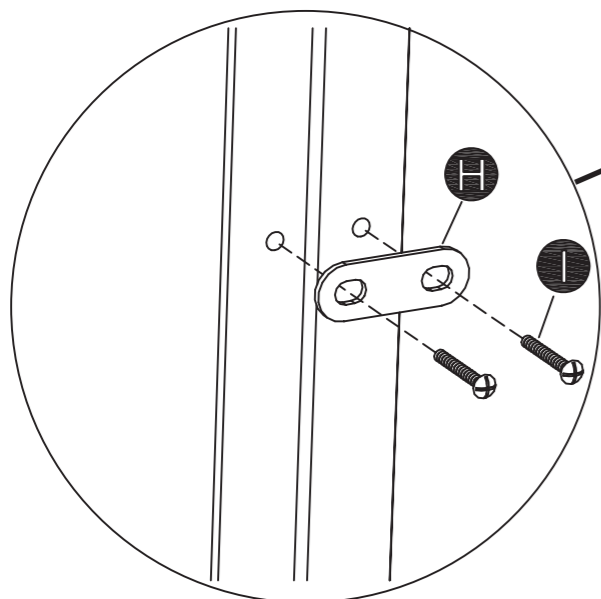
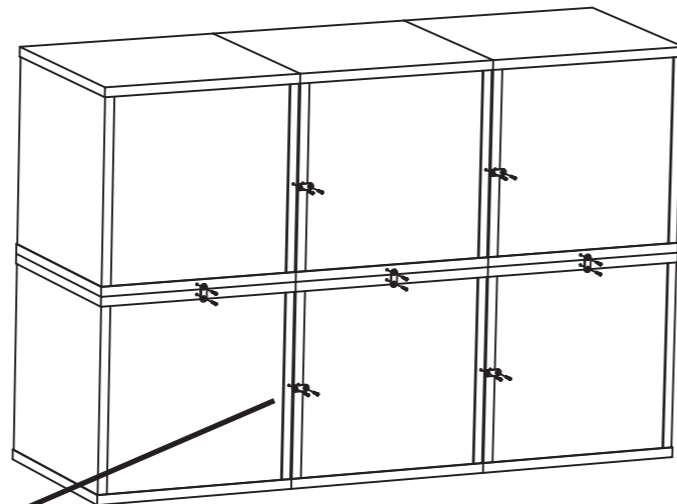


6



7 (OPTIONAL)

CONNECTED PLATES FOR MULTIPLE PREMIUM CUBES SETUP:



# Premium Quartered Cube

## CARE & CLEANING:

- \* Test cleaners in a discrete location first, such as the inside of a door/ panel, to ensure that there is no adverse reaction.
- \* Do not expose furniture to direct sunlight, drying heat sources or dampness.
- \* Dust frequently with a soft cloth in the direction of the grain.
- \* Use only products specifically made for cleaning wood. Avoid using oily polishes, or products containing silicone.