



Instructions for Easy Installation & Assembly

The Container Store®

elfa® décor

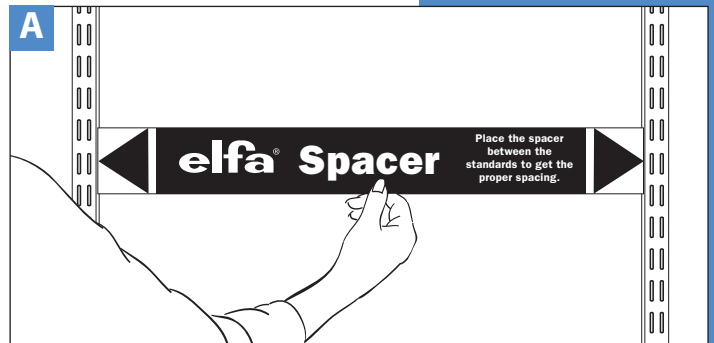
Install elfa® décor products listed below before installing Ventilated Shelves.

Hanging Drawers, Gliding Dresser Shelves, and Gliding Pant Racks

Step 1

Hanging Standard Placement

- In order for the elfa® décor products to fit, Hanging Standards should be placed in position by using the elfa® Spacer provided in the package. (Figure A) Refer to your custom space plan.



Step 2

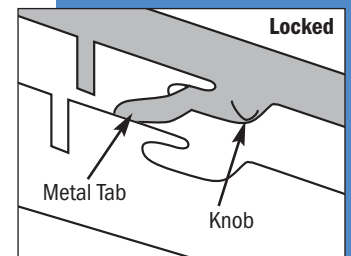
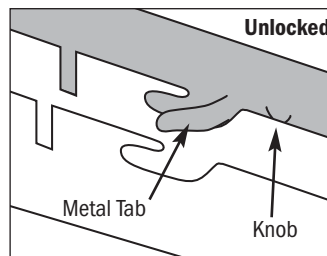
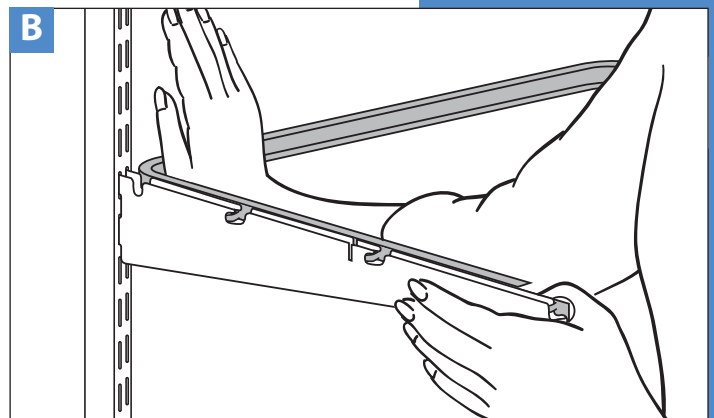
Install the U-Shaped Metal Glide

TIP

- The elfa® décor gliding components are all installed with the same U-Shaped Metal Glide.
- If you would like more space between the Drawers, just move them to the desired position.

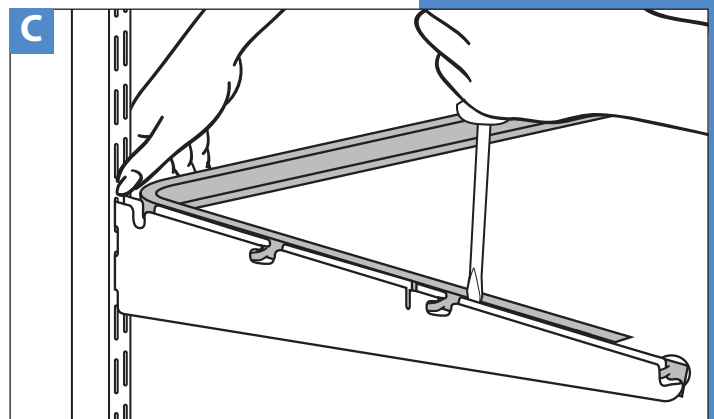
The U-Shaped Metal Glide has three metal tabs and a metal knob on each side (located at the top of the glide) that locks the glide into the Bracket.

- Begin with the left Bracket. Align the metal tabs on the U-Shaped Metal Glide with the cut-out notches of the Bracket. (Figure B)
- When aligned, hold the front of the bracket and press on the U-Shaped Metal Glide at the back rounded corner until you hear it lock into place. (Figure B)
- Repeat on the right side.



TIP

- **To REPOSITION the U-Shaped Metal Glide:** It is not necessary to remove the glide from the Brackets. Simply tilt up the front of both Brackets and remove them from the Hanging Standards. Now place in the desired location.
- **To REMOVE the U-Shaped Metal Glide from the Brackets:** Place one hand at the back of the glide, with your thumb on the Hanging Standard, gently push the glide forward with your fingers. At the same time, insert and twist a small flat head screwdriver between the Bracket and U-Shaped Metal Glide in front of the knob holding the glide in place. The U-Shaped Metal Glide should pop out from the Bracket. Repeat on the other side. (Figure C)



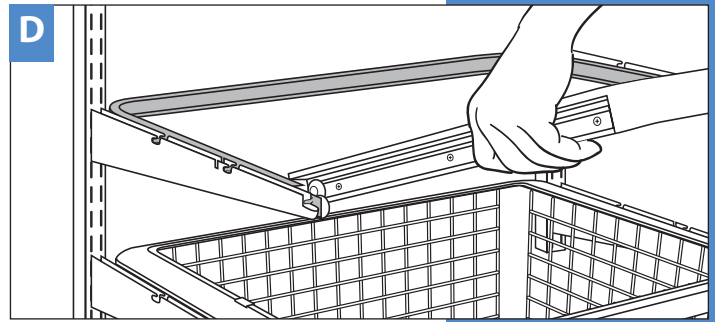
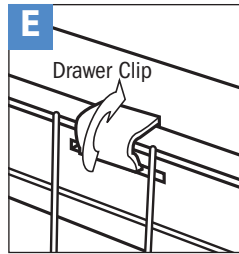
Step 3

Install the Gliding Accessories

- Align the rollers on each side of the frame with the openings in the U-Shaped Metal Glide. Slide the wood frame into the glide. **(Figure D)**

Drawers

- Always start with the bottom drawer and work up.
- Insert the Drawer in the frame opening and attach it to the left and right side of the wood frame with the Drawer Clips provided. **(Figure E)** If you would like more space between the Drawers, just move them to the desired position.



Gliding Dresser Shelf

- Place the Dresser Shelf inlay into the frame.