

Instructions for Easy Assembly

Tools needed: plastic mallet, ladder or step stool for 83" tall solutions

TIPS for getting started

- It's best to have two people to assemble an 83" tall solution.
- Please note that any solution used away from the wall requires feet on both sides of the solution.
- If you have Foot Height Extenders, add them before proceeding. To install, unscrew both levelers from the Foot and screw the Extenders directly into base of the Foot. The levelers can then be screwed into the Foot Height Extenders and adjusted as needed to accommodate baseboards between 2-4".

Assemble a single-sided solution

Step 1

Insert Upright into Foot

TIP

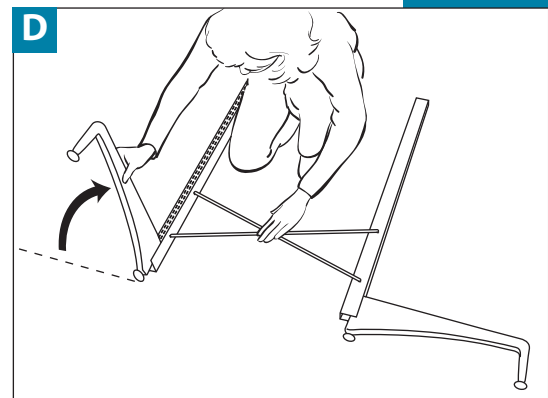
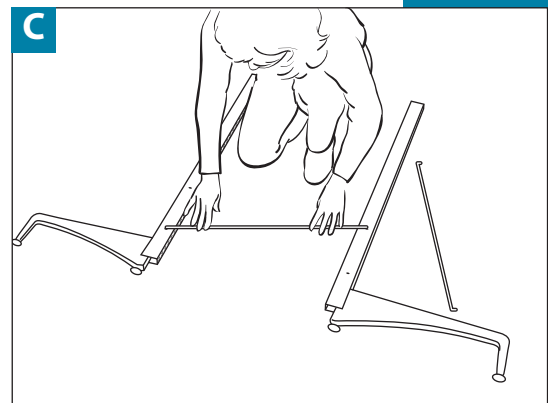
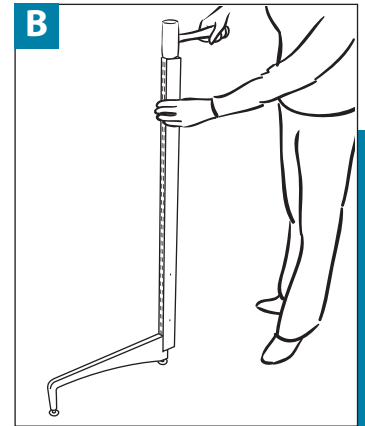
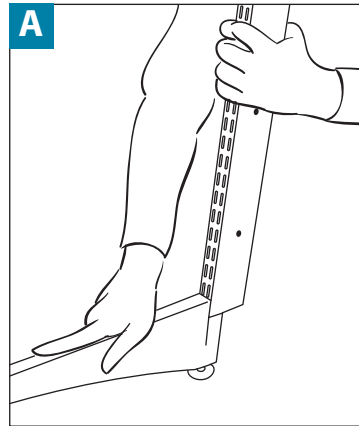
- If assembling on tile or wood, you must protect the floor.

- The holes on the side of the Upright indicate the bottom of the Upright. There is no front or back to the Uprights.
- Line up the Upright with the slot in the Foot. **(Figure A)** To secure, you can tap the Upright and Foot together on the ground or use the mallet. Make sure the Upright is all the way into the slot on the Foot. **(Figure B)**
- Repeat with a second Upright and Foot.

Step 2

Install Crossbraces

- Place the assembled Uprights/Feet on the floor as shown. **(Figure C)**
- Insert Crossbraces diagonally into holes at bottom of the Uprights. **(Figure C)**
- Gently hold the Crossbraces at the center with one hand. Using your other hand, lift one Foot so that it faces up, then lift the other Foot. **(Figure D)**



Continued on the next page.

Step 3 (Assemble a single-sided solution) Install Stabilization Bar

TIP

- When assembling an 83" unit, use a ladder or step stool to reach the top of the solution. Another person should hold the Uprights in place as you tap the Stabilization Bar into the top of the Uprights.

- Stand the unit upright and position it at the desired location against the wall.
- Secure the Stabilization Bar by tapping both ends into the top of the two Uprights with the plastic mallet. **(Figure A)**
- Alternate tapping left and right ends until both are locked into place.

If assembling a 4' or wider solution, proceed to the next section.

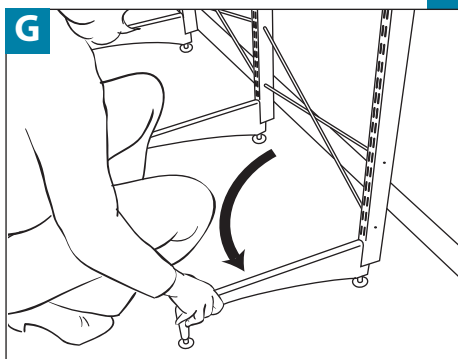
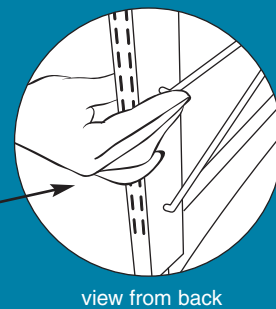
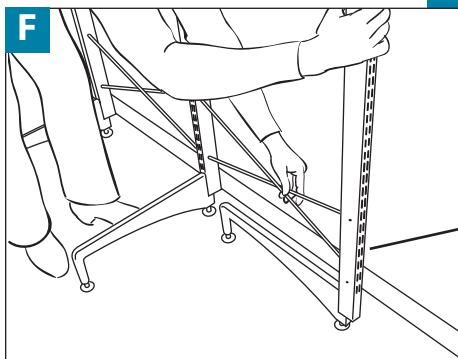
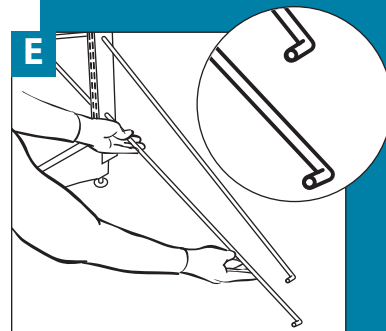
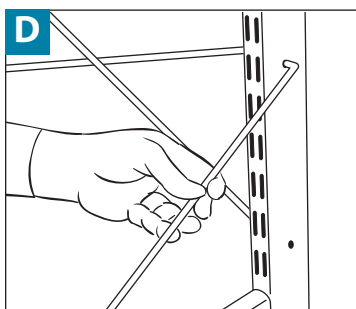
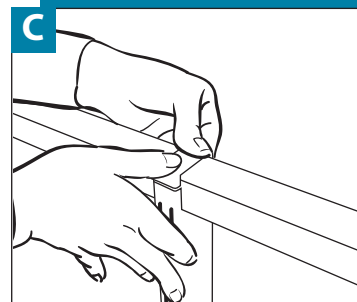
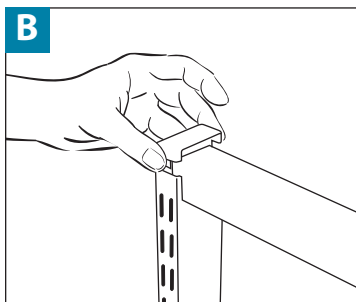
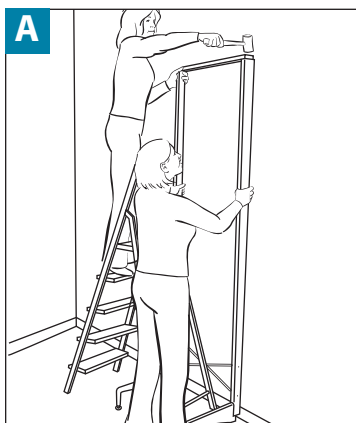
- **If assembling a 2' wide solution**, you can now add End Caps (included) to the top of the Uprights for a finished appearance. **(Figure B)**
- Install other elfa® components as directed in the elfa® Instructions for Easy Installation & Assembly Guide.
- Once you've added all elfa® components, adjust levelers as needed with the wrench included with the Feet.

Add a 2' section to a single-sided solution

- Insert Upright into Foot as directed in Step 1 on page one.
- Insert one Crossbrace into the top hole on the side of the Upright to the completed section **(Figure D)**; insert the other Crossbrace into the bottom hole. The bent tips on the unattached end of each Crossbrace should point forward. **(Figure E)**
- Position the third Upright so that the Foot points toward the already completed section. **(Figure F)**
- Insert the unattached ends of the Crossbraces diagonally into the third Upright. **(Figure E)** Pull the third Upright back to the forward position (so that the Foot is facing forward.) This locks the Crossbraces into place. **(Figure G)**
- Add the Stabilization Bar as shown in Step 3 above. Tap the Stabilization Bar into the shared Upright first, then the third Upright.
- Alternate tapping the left and right ends of the Stabilization Bar until both are locked into place.
- Repeat this process for additional 2' sections.
- Add End Caps and Center Cap(s) (included) at the top of the Upright for a finished appearance. **(Figure B, Figure C)**

Install other elfa® components as directed in the elfa® Instructions for Easy Installation & Assembly Guide.

Once you've added all elfa® components, adjust levelers as needed with the wrench included with the Feet.



Assemble a double-sided solution

Tools needed:
plastic mallet, ladder or step stool for 83" tall solutions

TIP

- It's best to have two people to assemble an 83" tall solution.
- Before you begin, make sure the levelers on each Foot are screwed all the way into the Foot.
- Please note that all double-sided solutions require Feet on both sides of the solution.

Step 1 Insert Upright into Feet

TIP

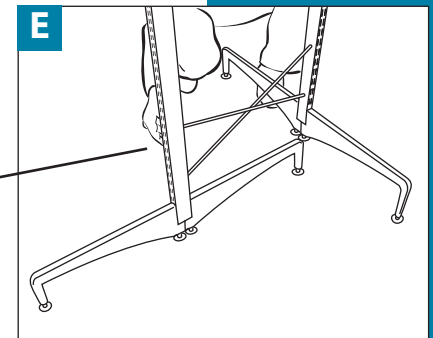
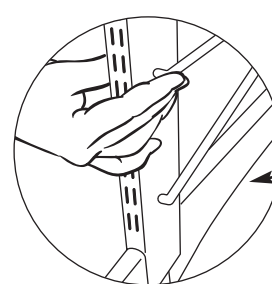
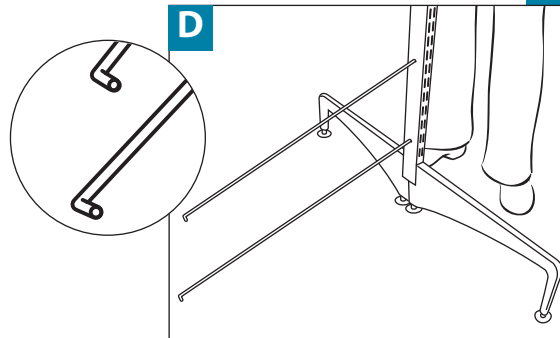
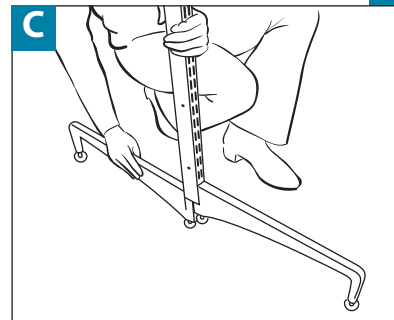
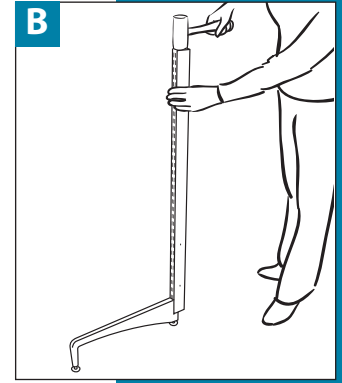
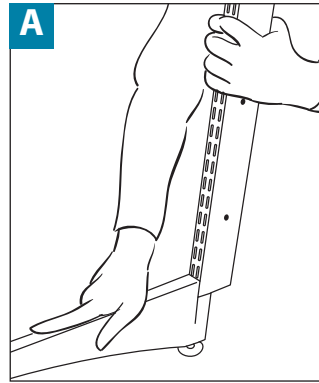
- If assembling on tile or wood, you must protect the floor.

- The two holes on the side of the Upright should be at the bottom of your finished solution.
- Line up the Upright with the slot in the Foot. **(Figure A)** To secure, you can tap the Upright and Foot together on the ground or use the mallet. Make sure the Upright is all the way into the slot on the Foot. **(Figure B)**
- Repeat this process with another Foot on the opposite side of the Upright. Set aside. **(Figure C)**
- Repeat the above three steps with another Upright and two Feet.

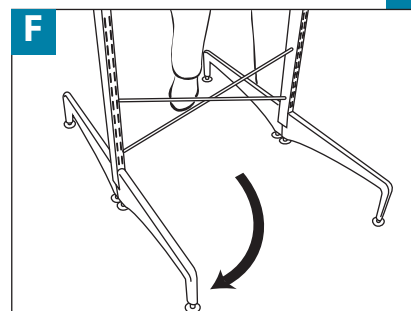
Step 2 Install Crossbraces

- Insert one Crossbrace into the top hole on the side of the Upright; insert the other Crossbrace into the bottom hole. The bent tips on the unattached end of each Crossbrace should face the same direction. **(Figure D)**
- Position the second assembled Upright/Feet set so that it is perpendicular to the first set. **(Figure E)**
- Attach the opposite ends of Crossbraces diagonally into the holes of the second Upright. **(Figure E)**
- Pull the second Upright/Feet set back to the forward position (so that the Feet on both sides of the solution are parallel.) This will lock the Crossbraces into place. **(Figure F)**

Continued on the next page.



view from back



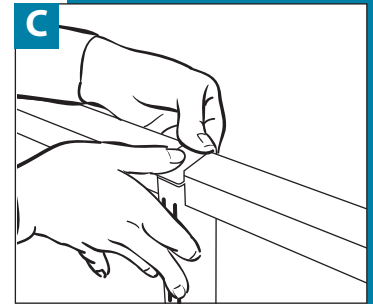
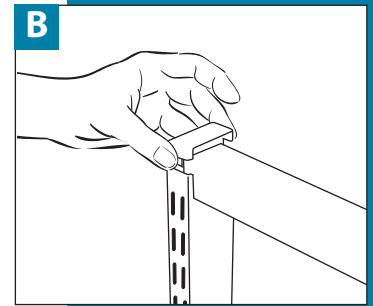
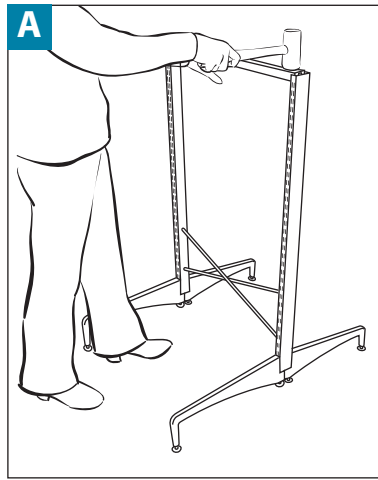
Step 3 (Assemble a double-sided solution)

Install Stabilization Bar

- Secure the Stabilization Bar by tapping both ends into the top of the two Uprights with a plastic mallet. **(Figure A)**
- Alternate tapping left and right ends until both are locked into place.
- Add End Caps (included) at the top of the Uprights for a finished appearance. **(Figure B)**

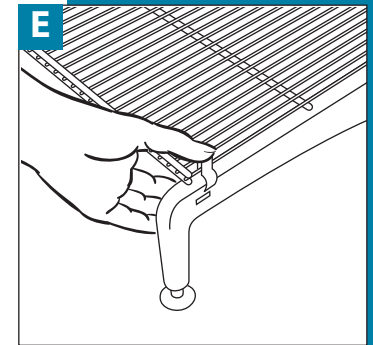
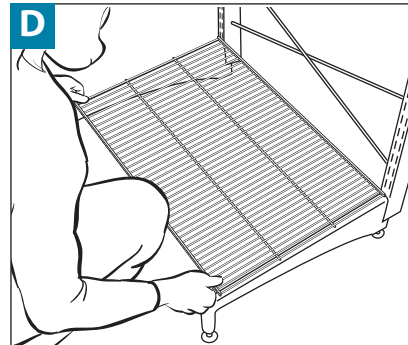
*If you have a 4' or longer solution, repeat above Steps 1, 2 and 3 as necessary. After all of the sections are added, place End Caps and Center Caps (included) at the top of the Uprights for a finished appearance. **(Figure B, Figure C)***

Before adding other elfa® components, adjust levelers as needed with the wrench included with the Feet.



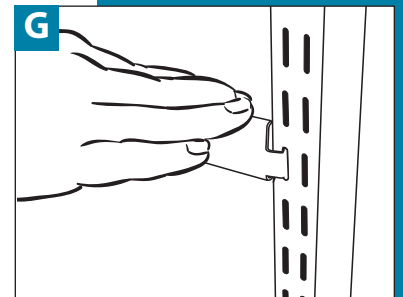
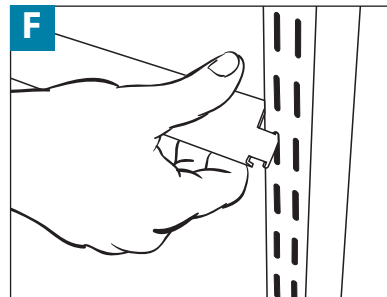
To attach a Ventilated Shelf to the Feet

- Lay the Ventilated Shelf across the span between the Feet. The support wires should run along the bottom of the shelf.
- Place the last shelf wire over the middle of each Foot. **(Figure D)**
- Start at the back of the shelf. Slip the Shelf Clip over the last shelf wire; it will snap into the notches on both sides of the Foot. **(Figure E)**
- Repeat for all four corners of the Shelf.
- If your design calls for two shelves to share one Foot, begin by attaching the clips at the joined shelves first, then clip the opposite ends of both shelves.



To install Back Stop Bar

- Identify the top of the Back Stop Bar as shown in Figure F.
- Holding the Back Stop Bar at a slight angle, slide the top tabs of the Back Stop Bar up into the Upright. **(Figure F)**
- Press the Back Stop Bar down to lock it in place. **(Figure G)**



You can now install other elfa components as directed in the elfa® Instructions for Easy Installation & Assembly Guide.

The Container Store®

For assembly instructions, visit www.containerstore.com/freestanding.

www.containerstore.com 1.800.733.3532