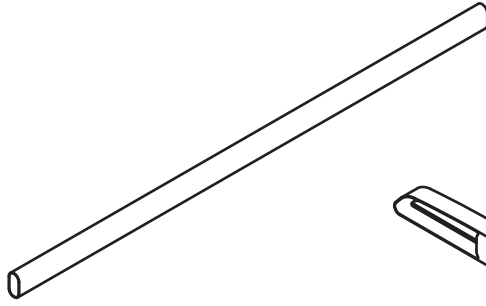


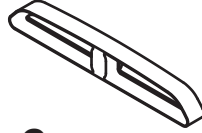
# 6739-4898 4-Pair Boot Rack



**A** 8 ea  
Boot loop



**B** 1 ea  
Sliding Bar



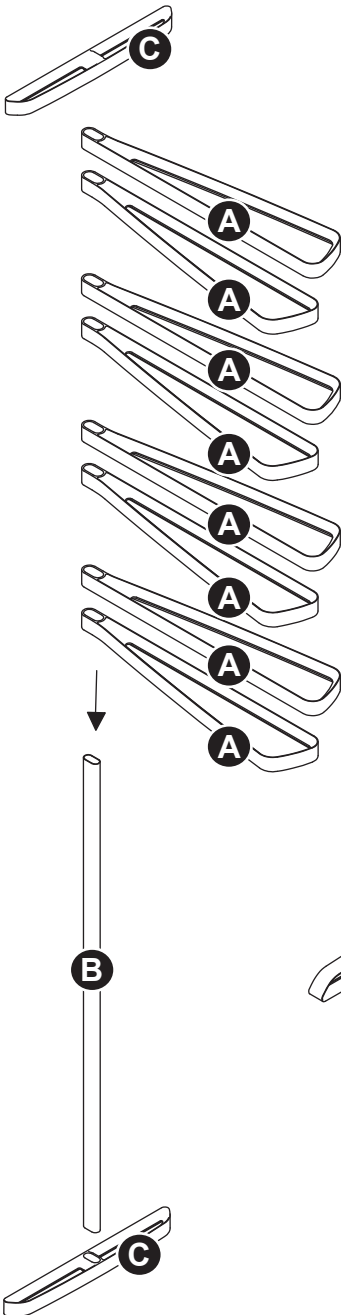
**C** 2 ea  
Foot

**Assembly Time:**  
Less than 10 minutes.

This product's intended use is for boot storage.

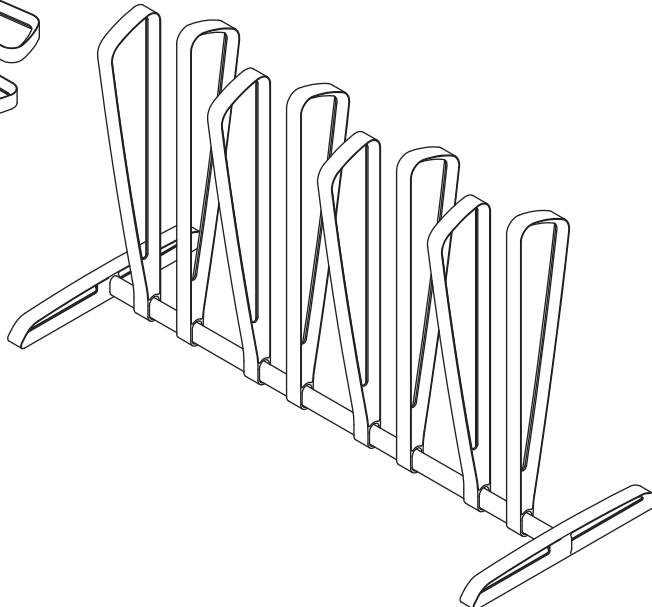
**Tools Needed:** No tools required.

**STEP 1.** Position one foot (C) on a protected hard surface. Insert sliding bar (B) vertically into the center of the foot (C). Slide eight boot loops (A) by pushing onto sliding bar (B) alternating the direction for each boot loop. Install remaining foot (C) onto the end of sliding bar (B).

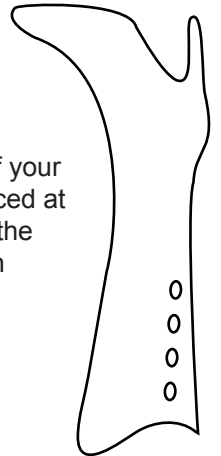


**NOTE:** Boot loops (A) are designed to grip tightly to sliding bar (B) to prevent tipping. You may have to work them back and forth slightly on the bar to get them started for assembly.

**STEP 2.** Assembly is now complete. Enjoy your new 4-Pair Boot Rack.



**NOTE:** The toe of your boot should be placed at the highest part of the boot loop as shown below.



**NOTE:** Boot loops can be adjusted by sliding into position on sliding bar.

